

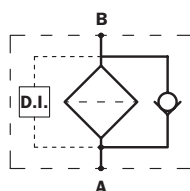
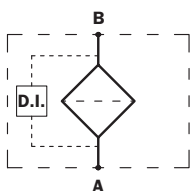
LMP 900 - 901

Filter element in according to DIN 24550



Style S

Style B



Maximum pressure 30 bar
Flow rates to 2000 l/min

Filter housing (Materials)

- Head: Anodised Aluminium
- Housing: Anodised Aluminium
- Manifolds: Anodised Aluminium
- Bypass valve: Steel

Pressure

- Working pressure: 30 bar (3 MPa)
- Test pressure: 45 bar (4.5 MPa)
- Burst pressure: 120 bar (12 MPa)
- Pulsed pressure fatigue test: 1.000.000 cycles with pressure from 0 to 30 bar (3 MPa)

Temperature

- From -25 °C to +110 °C

Bypass valve

- Opening pressure 3.5 bar \pm 10%
- Other opening pressures on request.

Number of filter elements

- LMP 900-1: 1 filter element CU900
- LMP 900-2: 2 filter elements CU900

Filter elements

- Filter element in according to with DIN 24550
- Size: 1000

Δp Elements type

- Series N elements: 20 bar
- Oil flow from exterior to interior.

Seals

- Standard NBR series A
- Optional FPM series V

Weights (kg)

Length

- LMP900 -1 19.2
- LMP900 -2 30.4

Volumes (dm³)

Length

- LMP900 -1 16
- LMP900 -2 24

Connections

In-Line Inlet-Outlet LMP 900

90° Inlet-Outlet LMP 901

Compatibility (to ISO 2943)

- Housings compatible with: Mineral oils, synthetic fluids, aqueous emulsions, water and glycol.
- The filter elements are compatible with: Mineral oils, synthetic fluids, aqueous emulsions, water and glycol.
- NBR seals series A, compatible with: Mineral oils, synthetic fluids, aqueous emulsions and water and glycol.
- FPM seals series V, compatible with: Synthetic fluids type HS-HFDR-HFDS-HFDU

Filter Element Area

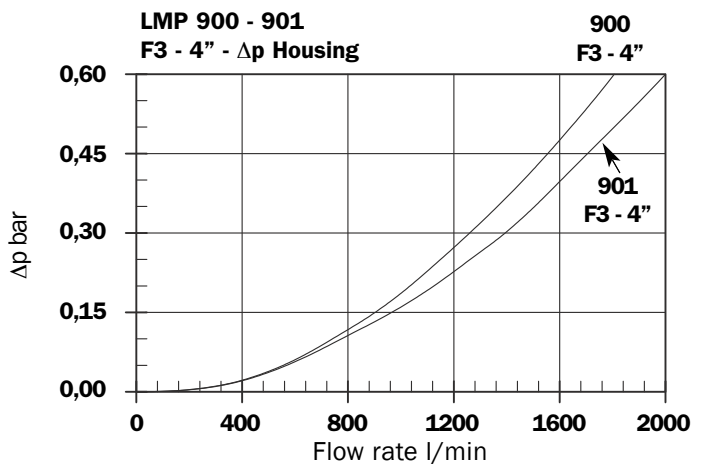
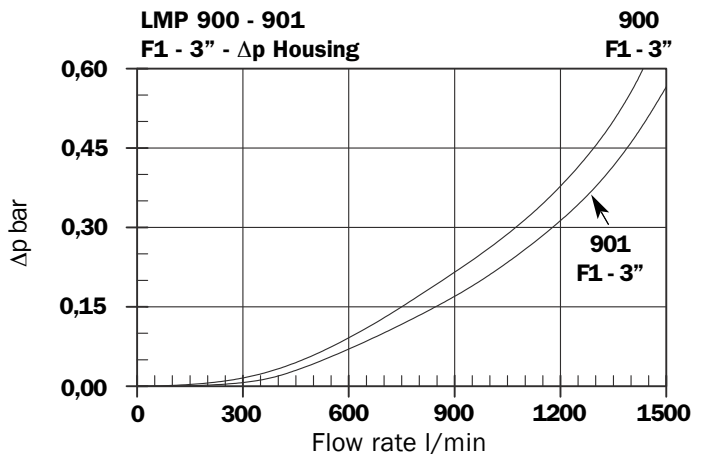
Filter element in stainless steel mesh

| Type | Length | |
|-------------------------------------|--------|-------|
| | 1 | 2 |
| CU 900 | 13000 | 26000 |
| Values expressed in cm ² | | |

Filter housing Δp pressure drop

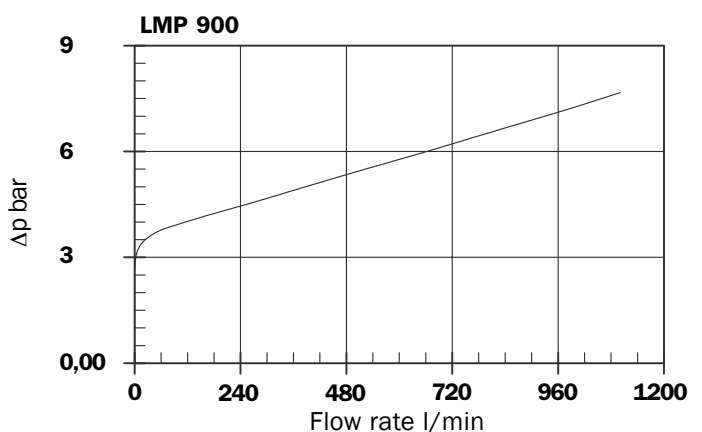
The curves are plotted utilising mineral oil with density of 0.86 kg/dm³ to ISO 3968.

Δp varies proportionally with density.



Valves

Bypass valve pressure drop



LMP 900



LMP 900 - 901 filters are equipped with two 1000 size cartridges in compliance with DIN 24550 standard, connected by means of a removable coupling spigot.

Coupling spigot

Recommended maximum flow rate

Recommended maximum flow rate for filters installed on lubrication lines, return or in-line filters is defined by the maximum oil velocity in the connections.

For filters mounted on Off-Line lines the maximum recommended flow rate is defined by the pressure drop of the filter element.

Filter for pressurised lubrication, max. oil velocity 2.5 m/sec.
Return or in-line filter, max oil velocity 5 m/sec.

| Oil velocity | Connections | |
|--------------|-------------|------|
| | 3" | 4" |
| 2,5 m/sec. | 750 | 1200 |
| 5 m/sec. | 1500 | 2400 |

Flow rate l/min

Off-Line filter, filter element recommended maximum pressure drop must be equal to Δp 0.2 ÷ 0.3 bar.

Recommended maximum flow rate

- Pressure drop of filter assembly equal to Δp 0.6 bar.
- Oil kinematic viscosity 30 mm²/s (cSt).
- Density 0.86 kg/dm³.

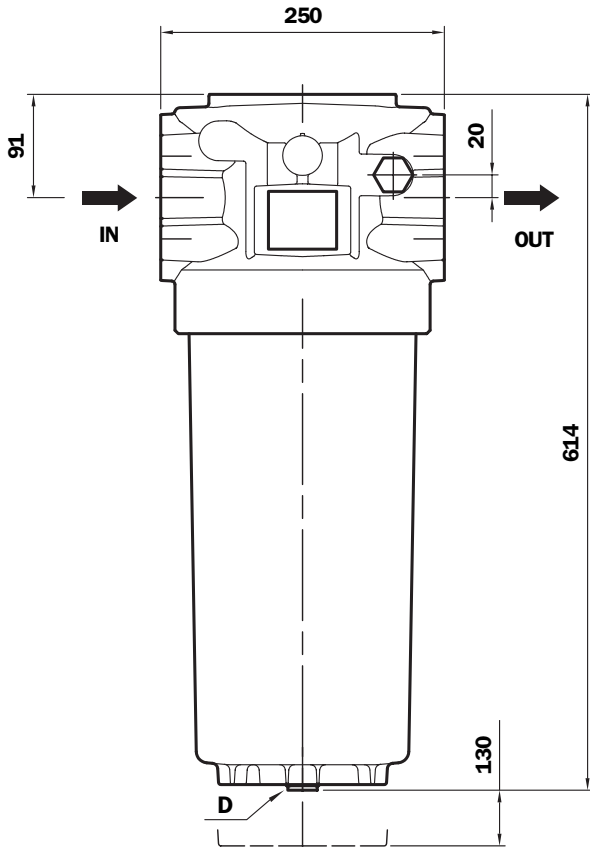
Filtration

| | Length | A03 | A06 | A10 | A16 | A25 | M25 |
|---|--------|------|------|------|------|------|------|
| LMP 900 | 1 | 600 | 750 | 1100 | 1150 | 1250 | 1500 |
| Connection: Flange SAE 3000 3" | 2 | 950 | 1100 | 1300 | 1350 | 1400 | 1500 |
| LMP 900 | 1 | 650 | 800 | 1200 | 1250 | 1400 | 1900 |
| Connection: Flange SAE 3000 4" | 2 | 1000 | 1200 | 1550 | 1550 | 1650 | 2000 |

Flow rate l/min

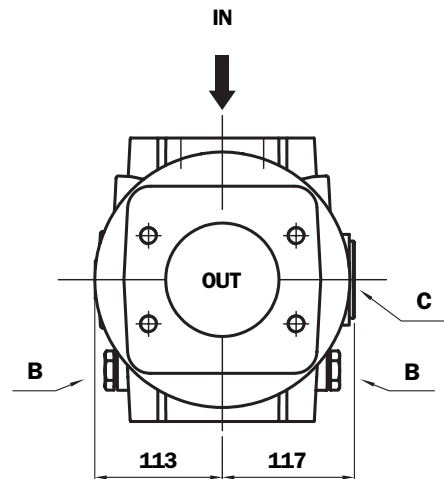
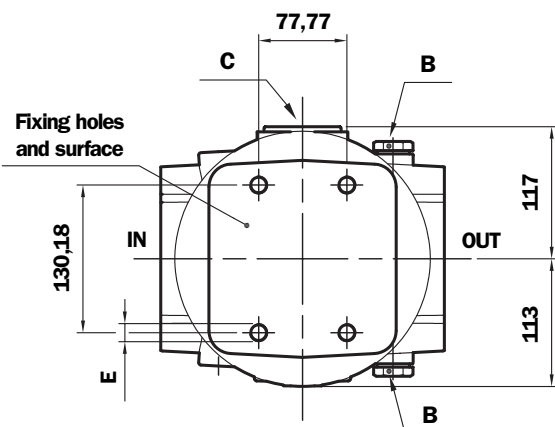
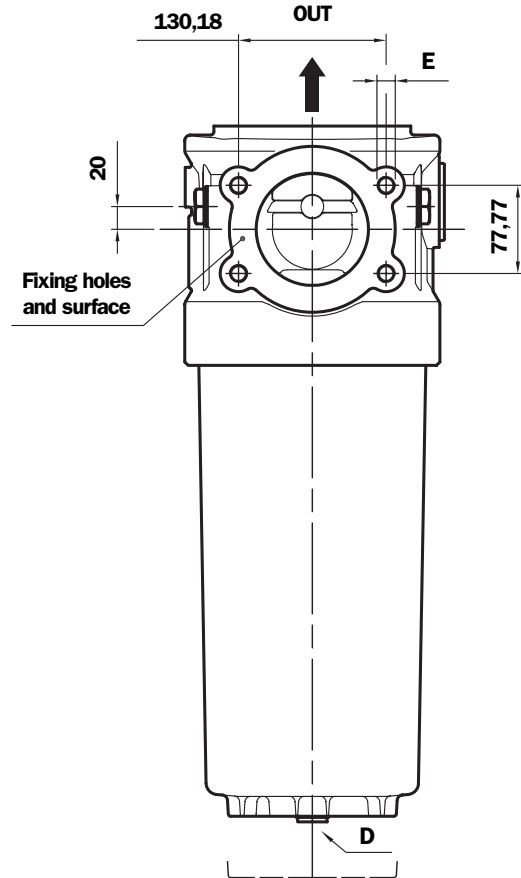
LMP 900

Length 1



LMP 901

Length 1



B - Indicator port - Plug T2 - A/F 30

C - Bypass valve - A/F 17

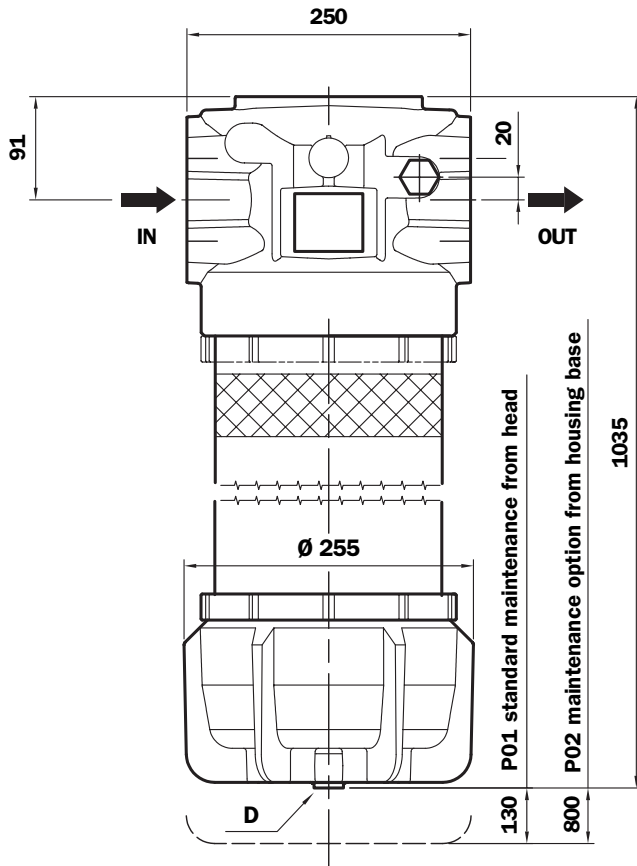
D - Oil drain plug - G 1/2" - A/F 8

Flanged IN - OUT connections

| St. | A | E Depth 25 mm |
|-----|-----------------------|------------------|
| F1 | 3" SAE - 3000 psi/M | M16 |
| F2 | 3" SAE - 3000 psi/UNC | M16 |
| F3 | 4" SAE - 3000 psi/M | 5/8" UNC |
| F4 | 4" SAE - 3000 psi/UNC | 5/8" UNC |

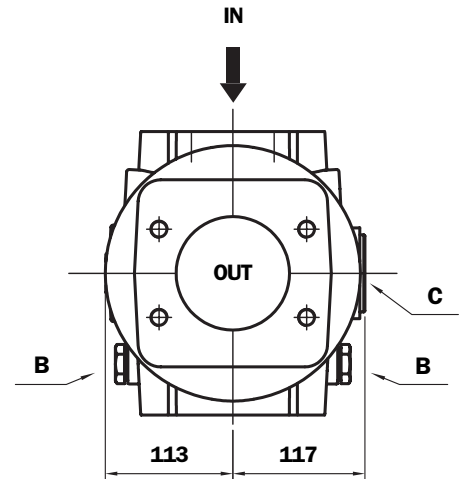
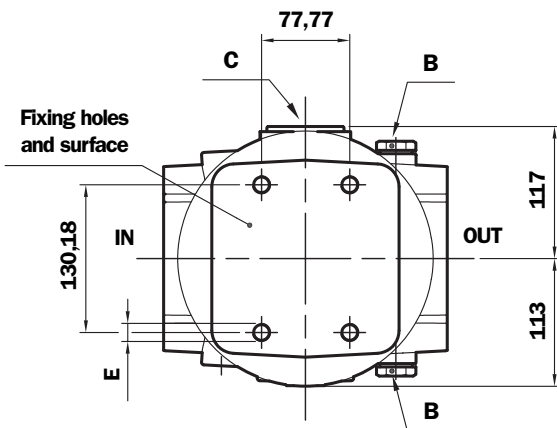
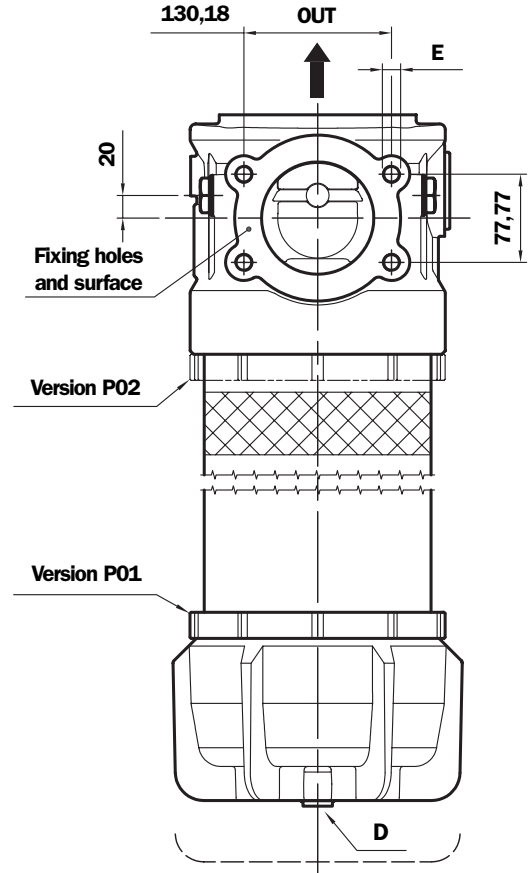
LMP 900

Length 2



LMP 901

Length 2



Flanged IN - OUT connections

| St. | A | E Depth 25 mm |
|-----|-----------------------|------------------|
| F1 | 3" SAE - 3000 psi/M | M16 |
| F2 | 3" SAE - 3000 psi/UNC | M16 |
| F3 | 4" SAE - 3000 psi/M | 5/8" UNC |
| F4 | 4" SAE - 3000 psi/UNC | 5/8" UNC |

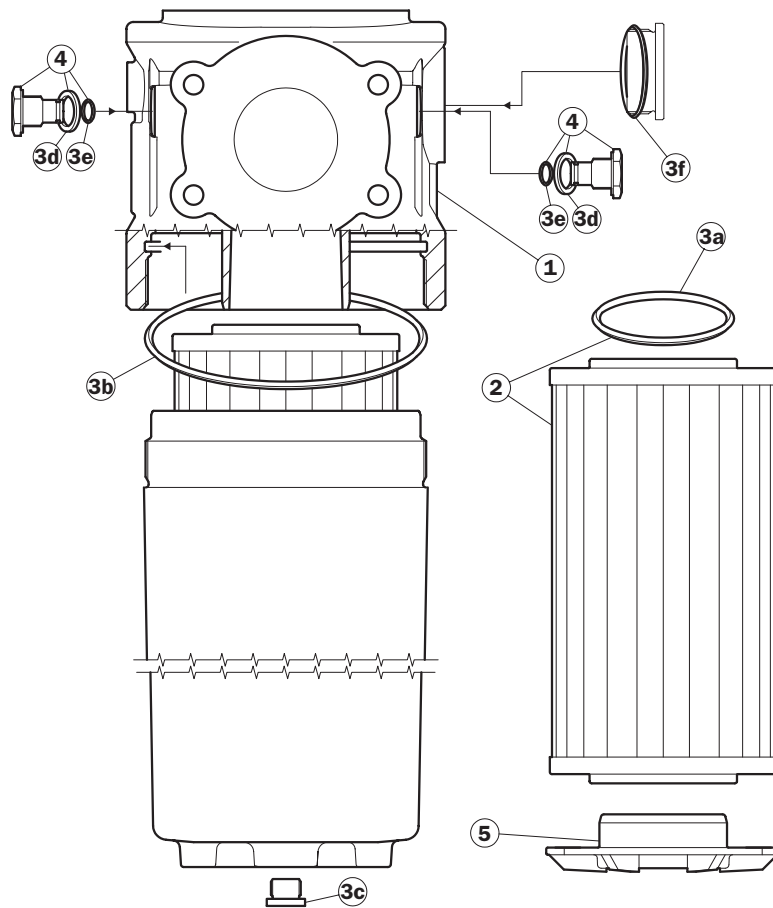
B - Indicator port - Plug T2 - A/F 30

C - Bypass valve - A/F 17

D - Oil drain plug - G 1/2" - A/F 8

Spare parts

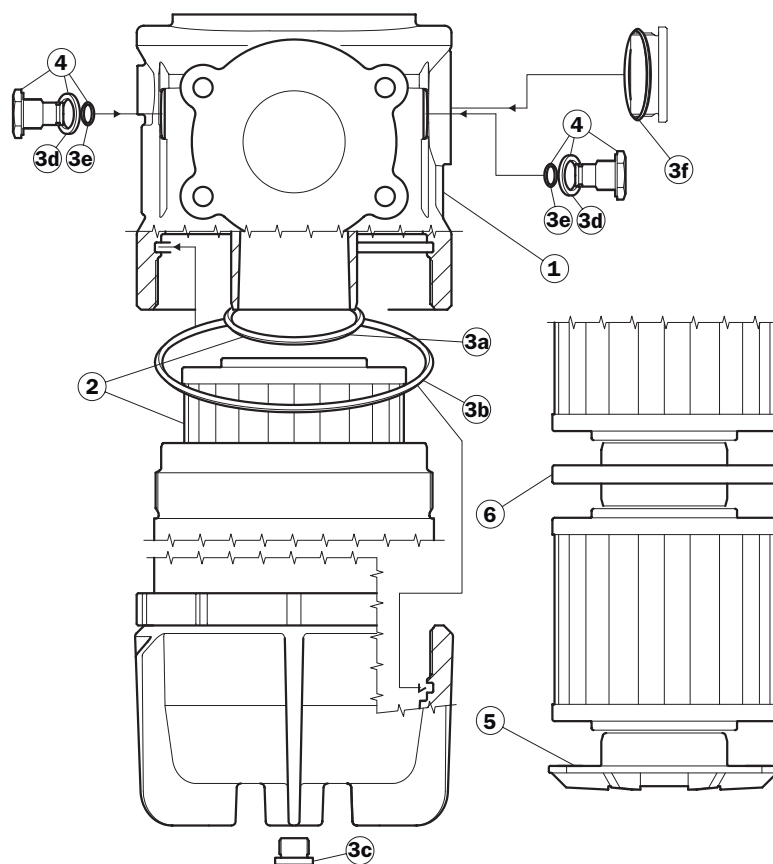
Length 1



| Item | Description | Q.ty | FILTER Series LMP 900 - 901 | |
|-----------|---------------------------|------|--------------------------------|-----------------|
| 1 | Filter assembly | 1 | See order table | |
| 2 | Filter Element | 1 | See order table | |
| 3 | Seals kit | 1 | NBR 02050363 | FPM 02050364 |
| 3a | Filter element O-Ring | 2 | O-R 185 Ø 89,69 x 5,33 | |
| 3b | O-Ring for housing | 1 | O-R 6745 Ø 189,86 x 5,34 | |
| 3c | Oil drain plug | 1 | G 1/2" with seal | |
| 3d | Seal for indicator | 2 | 01030058 | 01030046 |
| 3e | O-Ring for indicator | 2 | O-R 2050 Ø 12,42 x 1,78 | |
| 3f | By-pass plug O-Ring | 1 | O-R 3243 Ø 61,6 x 2,62 | |
| 4 | Indicator connection plug | 2 | T2H | T2V |
| 5 | Housing spigot | 1 | 01044104 | |
| - | Indicators | 1 | See order table | |

Spare parts

Length 2



| Item | Description | Q.ty | FILTER Series LMP 900 - 901 | |
|-----------|---------------------------|------|--------------------------------|-----------------|
| 1 | Filter assembly | 1 | See order table | |
| 2 | Filter Element | 2 | See order table | |
| 3 | Seals kit | 1 | NBR 02050365 | FPM 02050366 |
| 3a | Filter element O-Ring | 4 | O-R 185 Ø 89,69 x 5,33 | |
| 3b | O-Ring for housing | 2 | O-R 6745 Ø 189,86 x 5,34 | |
| 3c | Oil drain plug | 1 | G 1/2" with seal | |
| 3d | Seal for indicator | 2 | 01030058 | 01030046 |
| 3e | O-Ring for indicator | 2 | O-R 2050 Ø 12,42 x 1,78 | |
| 3f | By-pass plug O-Ring | 1 | O-R 3243 Ø 61,6 x 2,62 | |
| 4 | Indicator connection plug | 2 | T2H | T2V |
| 5 | Housing spigot | 1 | 01044104 | |
| 6 | Coupling spigot | 1 | 01044099 | |
| - | Indicators | 1 | See order table | |

Ordering information LMP 900 - 901

Filter assembly LMP

| | | | | | | | | |
|---------------------|--------------------------|--------------------------|--------------------------|--------------------------|--------------------------|--------------------------|--------------------------|--------------------------|
| | 1 | 2 | 3 | 4 | 5 | 6 | 7 | 8a |
| | <input type="checkbox"/> | <input type="checkbox"/> | <input type="checkbox"/> | <input type="checkbox"/> | <input type="checkbox"/> | <input type="checkbox"/> | <input type="checkbox"/> | <input type="checkbox"/> |
| Example: LMP | 900 | 2 | B | A | F1 | A10 | N | P01 |

Filter element CU900

| | | | | |
|-----------------------|--------------------------|--------------------------|--------------------------|------------------------------------|
| | 6 | 4 | 7 | 8b |
| | <input type="checkbox"/> | <input type="checkbox"/> | <input type="checkbox"/> | <input type="checkbox"/> |
| Example: CU900 | A10 | A | N | P01 (2 cartridges required) |

1 - Style

| Filter | Filter element |
|-------------------------------------|-------------------------------------|
| <input type="checkbox"/> 900 | <input type="checkbox"/> 900 |
| <input type="checkbox"/> 901 | <input type="checkbox"/> 900 |

2 - Filter length

| | |
|-----------------------------------|--------------------------|
| <input type="checkbox"/> 1 | With 1 CU 900 cartridge |
| <input type="checkbox"/> 2 | With 2 CU 900 cartridges |

3 - Valve

| | |
|-----------------------------------|--|
| <input type="checkbox"/> S | Without by-pass |
| <input type="checkbox"/> B | With bypass |
| <input type="checkbox"/> | With by-pass Opening pressure: on request |

4 - Filter seals

| | |
|-----------------------------------|------------|
| <input type="checkbox"/> A | NBR |
| <input type="checkbox"/> V | FPM |
| <input type="checkbox"/> | On request |

5 - Connections

Flanged

| Type | LMP 900 - 901 |
|-----------|---------------------|
| F1 | 3" SAE 3000 psi/M |
| F2 | 3" SAE 3000 psi/UNC |
| F3 | 4" SAE 3000 psi/M |
| F4 | 4" SAE 3000 psi/UNC |

6 - Filter element

| | | |
|-------------------------------------|---------------------------|--|
| <input type="checkbox"/> A01 | Inorganic microfibre* 1 µ | } Absolute filtration βx (c) ≥ 1000 |
| <input type="checkbox"/> A03 | Inorganic microfibre 3 µ | |
| <input type="checkbox"/> A06 | Inorganic microfibre 6 µ | |
| <input type="checkbox"/> A10 | Inorganic microfibre 10 µ | |
| <input type="checkbox"/> A16 | Inorganic microfibre 16 µ | |
| <input type="checkbox"/> A25 | Inorganic microfibre 25 µ | |

* On request

| | | |
|-------------------------------------|-----------|----------------------|
| <input type="checkbox"/> M25 | Wire mesh | } Nominal Filtration |
| <input type="checkbox"/> M60 | Wire mesh | |
| <input type="checkbox"/> M90 | Wire mesh | |

7 - Max filter element differential pressure

| | |
|-----------------------------------|-----------|
| <input type="checkbox"/> N | Δp 20 bar |
|-----------------------------------|-----------|

8 - Option

a - Filter

| | |
|-------------------------------------|--|
| <input type="checkbox"/> P01 | MP Filtri standard |
| <input type="checkbox"/> P02 | LMP 900 - 901 Maintenance from base housing (length 2 only) |
| <input type="checkbox"/> Pxx | Customer request |

b - Filter element

| | |
|-------------------------------------|--------------------|
| <input type="checkbox"/> P01 | MP Filtri standard |
| <input type="checkbox"/> Pxx | Customer request |

DIFFERENTIAL INDICATORS (see page 120)

MP Filtri - The filter functions as described in this bulletin are valid exclusively for original MP Filtri filter elements and replacement parts. All rights reserved

The data in this publication are purely guideline. MP Filtri reserves the right to make changes to the models described herein at any time it deems fit in relation to technical or commercial requirements. The colours of the products shown on the cover are purely guideline. Copyright. All rights reserved.