

# Bourdon tube pressure gauge Back mount, standard version Model 111.12

WIKA data sheet PM 01.09

## Applications

- For gaseous and liquid media that are not highly viscous or crystallising and will not attack copper alloy parts
- Pneumatics
- Heating and air-conditioning technology
- Small-capacity compressors
- Medical engineering

## Special features

- Reliable and cost-effective
- Design per EN 837-1
- Nominal size 40, 50, 63, 80 and 100
- Scale ranges up to 0 ... 400 bar



Bourdon tube pressure gauge model 111.12

## Description

### Design

EN 837-1

### Nominal size in mm

40, 50, 63, 80 and 100

### Accuracy class

2.5

### Scale ranges

0 ... 0.6 to 0 ... 400 bar

or all other equivalent vacuum or combined pressure and vacuum ranges

### Pressure limitation

Steady: 3/4 x full scale value

Fluctuating: 2/3 x full scale value

Short time: Full scale value

### Permissible temperature

Ambient: -20 ... +60 °C

Medium: +60 °C maximum

### Temperature effect

When the temperature of the measuring system deviates from the reference temperature (+20 °C): max.  $\pm 0.4 \%$ /10 K of the span

## Standard version

### Process connection

Copper alloy,  
centre back mount (CBM)  
NS 40: G 1/8 B (male), 14 mm flats  
NS 50, 63: G 1/4 B (male), 14 mm flats  
NS 80, 100: G 1/4 B (male), 14 mm flats

### Pressure element

Copper alloy,  
≤ 60 bar: C-type  
> 60 bar: Helical type

### Movement

Copper alloy

### Dial

NS 40, 50, 63: Plastic, white, with pointer stop pin  
NS 80, 100: Aluminium, white, with pointer stop pin  
Black lettering

### Pointer

Plastic, black

### Case

Plastic, black  
NS 100: Steel, black

### Window

Plastic, crystal-clear, snap-fitted in case

## Options

- Other process connection
- Accuracy class 1.6
- Case steel, black
- Triangular bezel with mounting bracket

## Special versions

### For closed heating systems

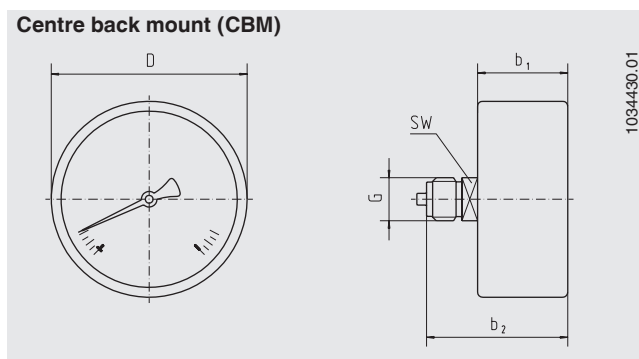
NS 63, 80  
with red mark pointer and adjustable green sector,  
scale range 0 ... 4 bar, red mark at 2.5 or 3 bar

### For water-level indication (hydrometer)

NS 80  
Scale ranges 0 ... 0.6 to 0 ... 40 bar, with second scale in  
mWS

## Dimensions in mm

### Standard version



NS	Dimensions in mm		D	G	SW	Weight in kg
	b <sub>1</sub> ±0.5	b <sub>2</sub> ±1				
40	26	42	39	G 1/8 B	14	0.06
50	29.5	47.5	49	G 1/4 B	14	0.07
63	29	47	62	G 1/4 B	14	0.08
80	32	49	79	G 1/4 B	14	0.11
100	31	49	99	G 1/4 B	14	0.26

Process connection per EN 837-1 / 7.3

## Ordering information

Model / Nominal size / Scale range / Connection size / Options

© 2005 WIKA Alexander Wiegand SE & Co. KG, all rights reserved.  
The specifications given in this document represent the state of engineering at the time of publishing.  
We reserve the right to make modifications to the specifications and materials.



**WIKAL Alexander Wiegand SE & Co. KG**  
Alexander-Wiegand-Straße 30  
63911 Klingenberg/Germany  
Tel. (+49) 9372/132-0  
Fax (+49) 9372/132-406  
E-mail info@wika.de  
www.wika.de