

# LMP 110



**Maximum pressure 80 bar**  
**Flow rates to 160 l/min**

## Filter housing (Materials)

- Head: Aluminium
- Housing: Cataphoresis Painting
- Bypass valve: Brass - Aluminium

## Pressure

### LMP 110 length: 1 - 2 - 3 - 4

- Working pressure: 80 bar (8 MPa)
- Test pressure: 120 bar (12 MPa)
- Burst pressure: 290 bar (29 MPa)
- Pulse pressure fatigue test: 1.000.000 cycles with pressure from 0 to 80 bar (8 MPa)

## Temperature

- From -25 °C to +110 °C

## Bypass valve

- Opening pressure 3.5 bar ±10%
- Other opening pressures on request.

## Δp Elements type

- Series N and W elements: 20 bar
- Oil flow from exterior to interior.

## Seals

- Standard NBR series A
- Optional FPM series V

## Weights (kg)

### Length

- LMP110 - 1 1,6
- LMP110 - 2 1,8
- LMP110 - 3 2,1
- LMP110 - 4 2,6

## Volumes (dm<sup>3</sup>)

### Length

- LMP110 - 1 0,75
- LMP110 - 2 0,81
- LMP110 - 3 1,11
- LMP110 - 4 1,53

## Connections

- Inlet/Outlet In-Line LMP 110
- Inlet/Outlet In-Line + second inlet port 90° LMP 112
- Inlet/Outlet In-Line + second outlet port 90° LMP 116
- Inlet/Outlet In-Line + outlet bypass port 90° LMP 118
- Inlet/Outlet In-Line + outlet safety valve 90° LMP 119

## Compatibility (to ISO 2943)

- Housings compatible with: Mineral oils, synthetic fluids. Aqueous emulsions, water and glycol (series W required).
- The filter elements are compatible with: Mineral oils, synthetic fluids. Aqueous emulsions, water and glycol (series W required).

- NBR seals series A, compatible with: Mineral oils, synthetic fluids, aqueous emulsions and water and glycol.
- FPM seals series V, compatible with: Synthetic fluids type HS-HFDR-HFDS-HFDU

Recommended maximum flow rate => see page 35

## Filter Element Area

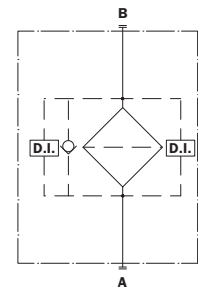
Filter element in stainless steel mesh  
Length

Type	1	2	3	4
CU 110	1302	1764	2464	3864
Values expressed in cm <sup>2</sup>				

## LMP 110



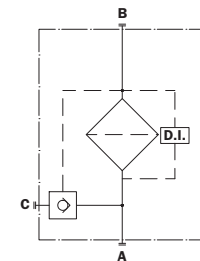
### Style LMP 110



## LMP 118



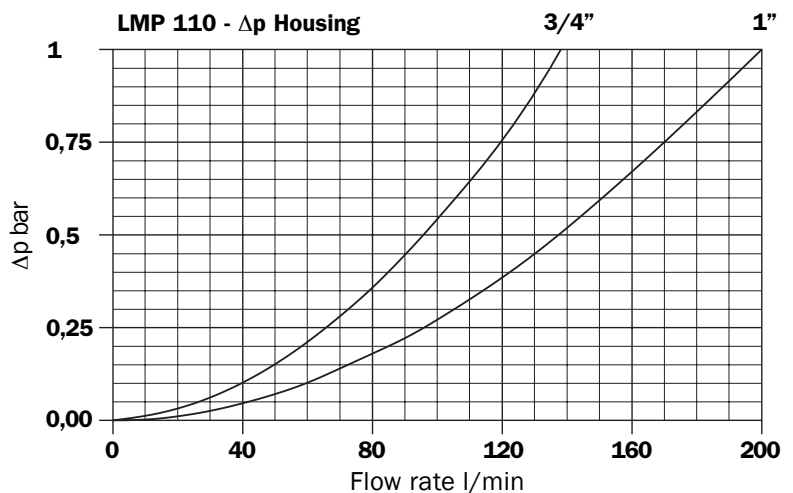
### Style LMP 118



## Filter housings Δp pressure drop

The curves are plotted utilising mineral oil with density of 0.86 kg/dm<sup>3</sup> to ISO 3968.

Δp varies proportionally with density.



### LMP 112



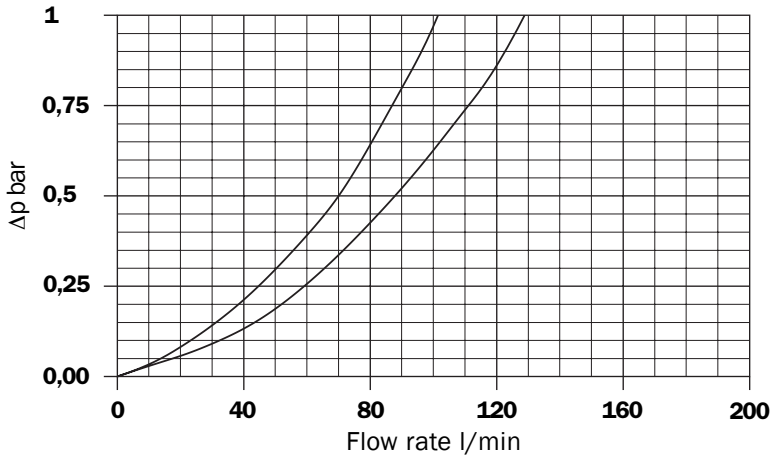
### LMP 112 (plug not included)



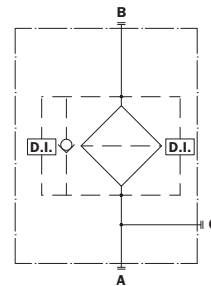
### LMP 116 (plug not included)



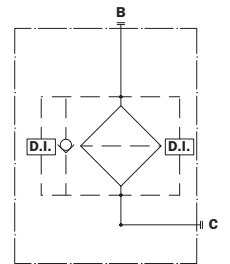
**LMP 112 -  $\Delta p$  Housing OUT 3/4" OUT 1"**



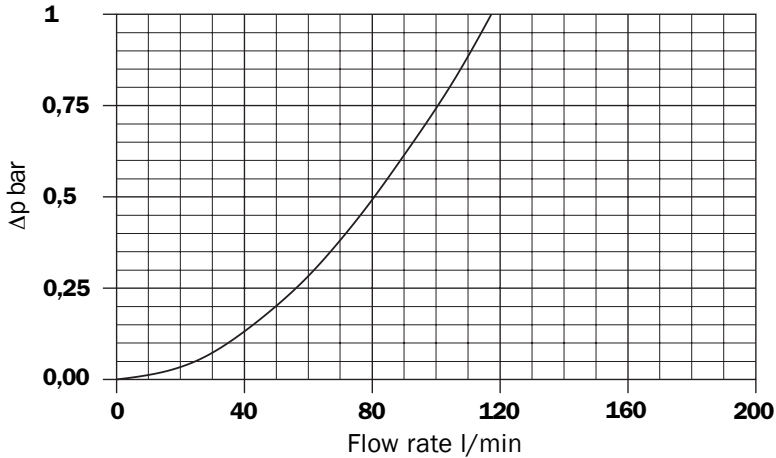
Style  
**LMP 112**



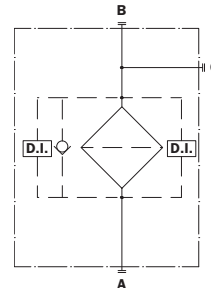
Style  
**LMP 112**



**LMP 116 -  $\Delta p$  Housing IN 3/4" - 1"**



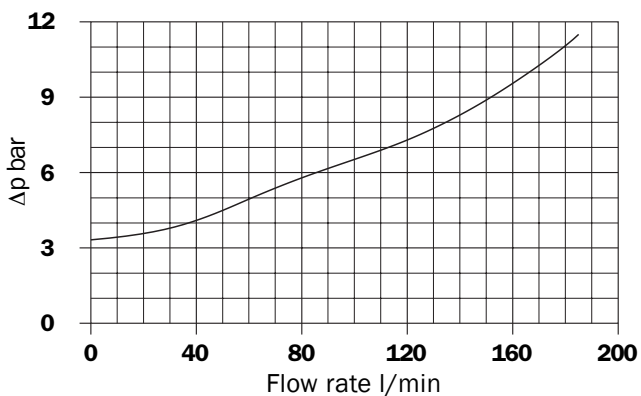
Style  
**LMP 116**



#### Valves

##### Bypass valve pressure drop

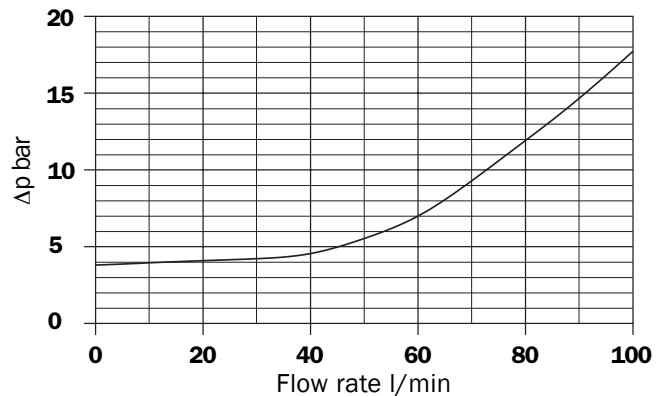
LMP 110 - LMP 112 - LMP 116 - 119



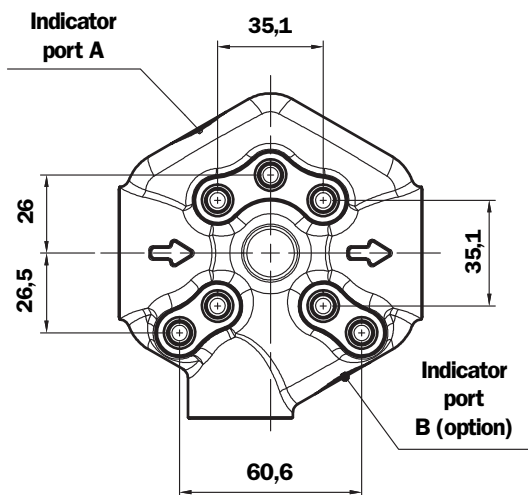
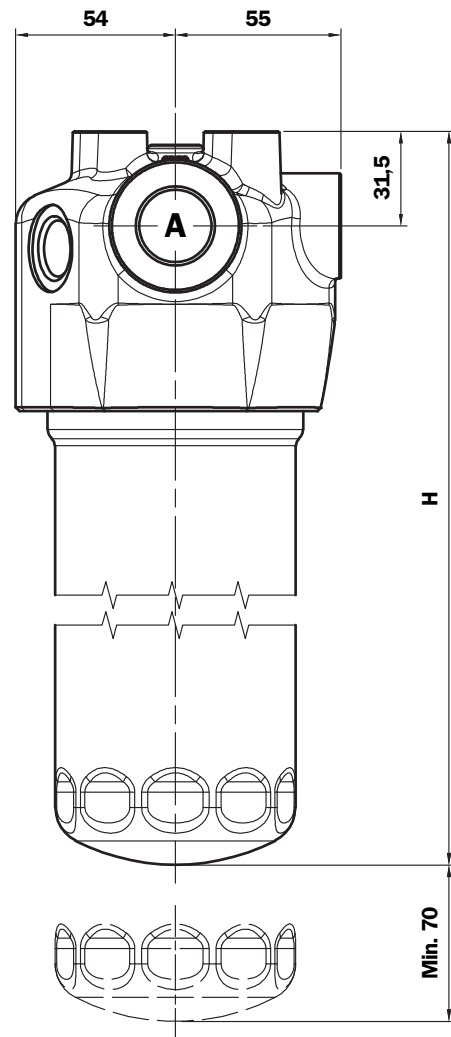
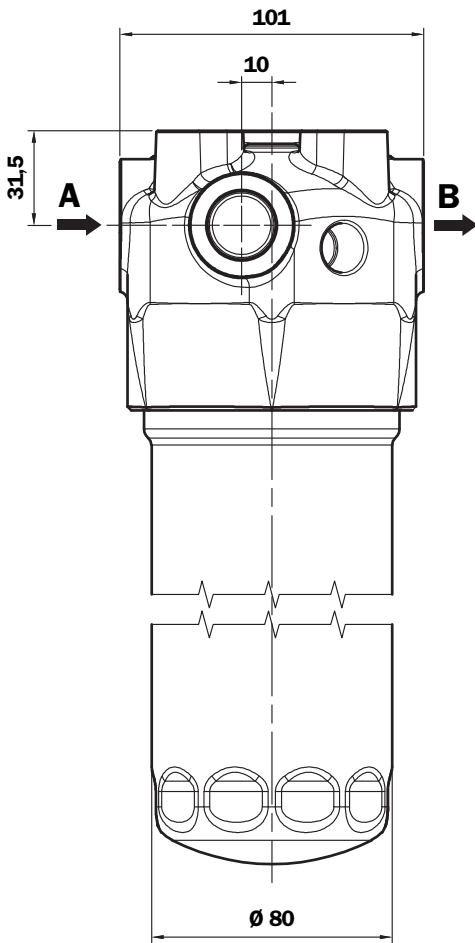
#### Valves

##### Bypass valve pressure drop

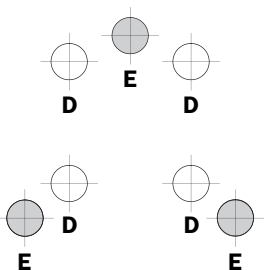
LMP 118



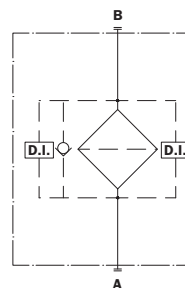
## LMP 110



### Filter fixing holes LMP 110 - 112 - 116 - 118 - 119



**Double filter fixing holes**  
**D** 3/8" UNC x depth 12 mm  
**E** M10 x depth 12 mm

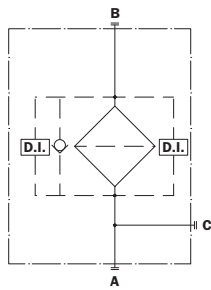
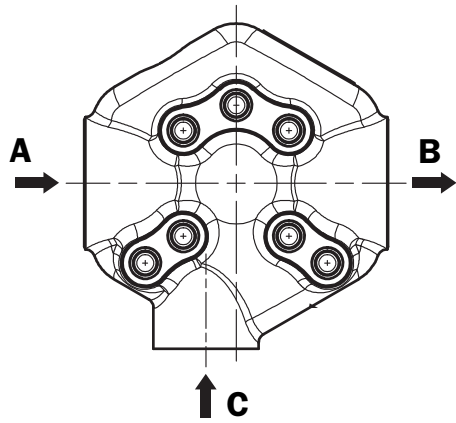


### LMP 110

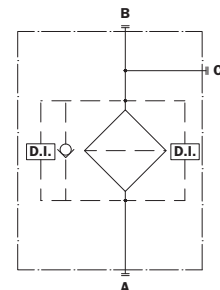
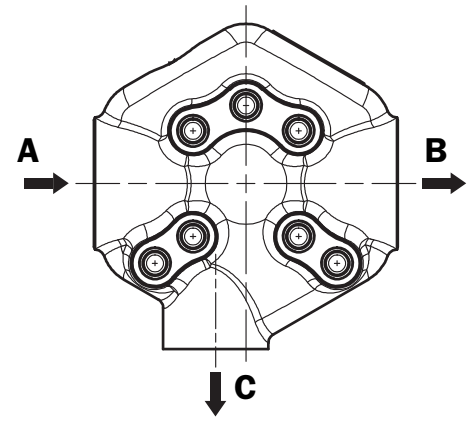
Length Filter	H mm
1	182
2	215
3	265
4	365

St.	Connections A - B
A	G 3/4"
B	G 1"
C	3/4" NPT
D	1" NPT
E	SAE 12
F	SAE 16

# LMP 112



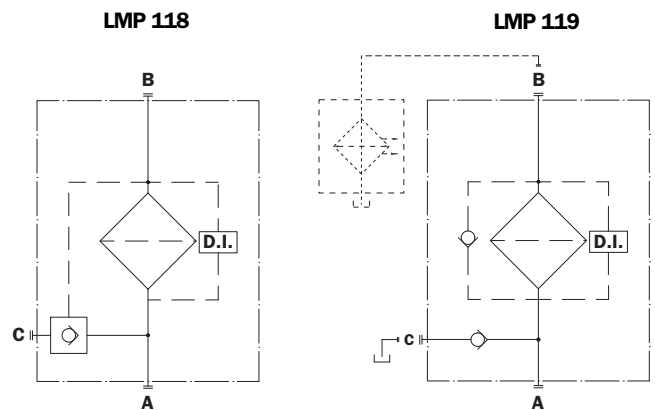
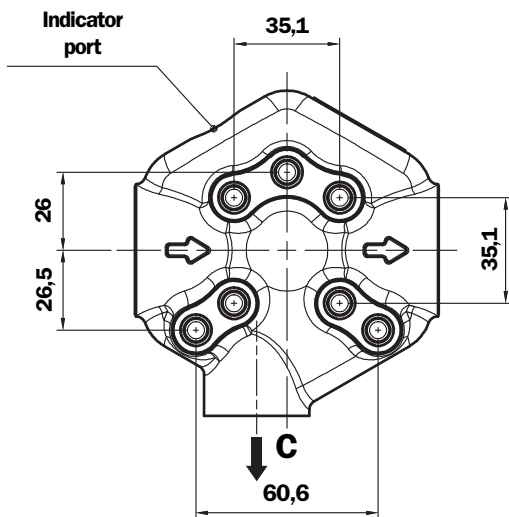
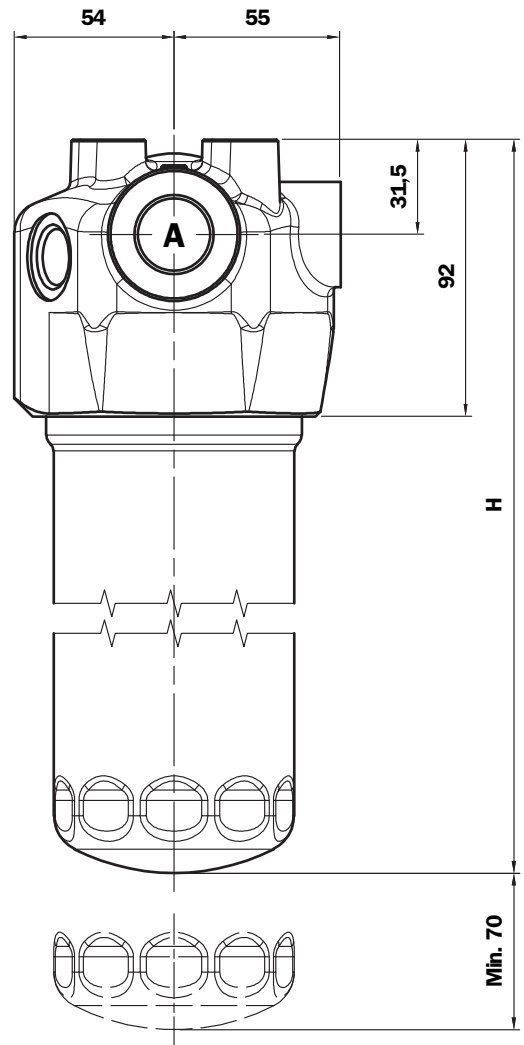
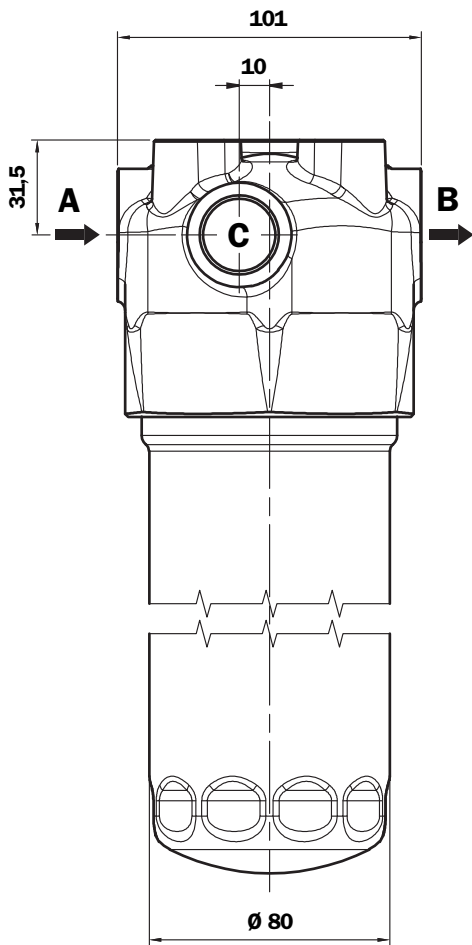
# LMP 116



St.	Connections A - B	Lateral connections C
A	G 3/4"	G 3/4"
B	G 1"	G 3/4"
C	3/4" NPT	3/4" NPT
D	1" NPT	3/4" NPT
E	SAE 12	SAE 12
F	SAE 16	SAE 12

Series of horizontal lines for technical notes or specifications.

# LMP 118 - 119

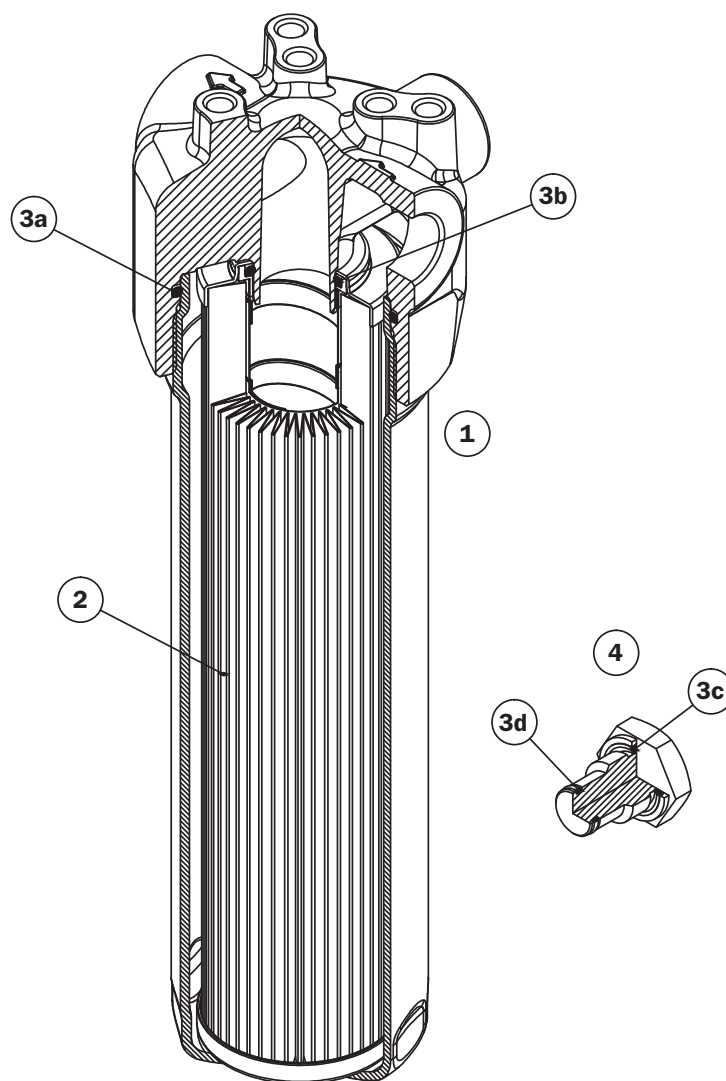


## LMP 118 - 119

Length Filter	H mm
1	182
2	215
3	265
4	365

St.	Connections A - B	Lateral connection C
A	G 3/4"	G 3/4"
B	G 1"	G 3/4"
C	3/4" NPT	3/4" NPT
D	1" NPT	3/4" NPT
E	SAE 12	SAE 12
F	SAE 16	SAE 12

# Spare parts



Item	Description	Q.ty	FILTER Series	
			LMP 110 - 112 - 116 - 118 - 119	
<b>1</b>	Filter assembly	1	See order table	
<b>2</b>	Filter element	1	See order table	
<b>3</b>	Seals Kit	1	NBR 02050478	FPM 02050479
<b>3a</b>	O-Ring for housing	1	O-R 4312 Ø 78,97 x 3,53	
<b>3b</b>	O-Ring for filter element	1	O-R 4125 Ø 31,34 x 3,53	
<b>3c</b>	Seal for indicator	1	NBR 01030058	FPM 01030046
<b>3d</b>	O-Ring for indicator	1	O-R 2050 Ø 12,42 x 1,78	
<b>4</b>	Indicator connection plug	1	T2H	T2V
-	Indicators	1	See order table	

# Ordering information LMP 110 - 119

## Filter assembly LMP

	<b>1</b>	<b>2</b>	<b>3</b>	<b>4</b>	<b>5</b>	<b>6</b>	<b>7</b>	<b>8</b>	<b>9</b>
	<input type="checkbox"/>	<input type="checkbox"/>	<input type="checkbox"/>	<input type="checkbox"/>	<input type="checkbox"/>	<input type="checkbox"/>	<input type="checkbox"/>	<input type="checkbox"/>	<input type="checkbox"/>
Example: LMP	<b>110</b>	<b>2</b>	<b>B</b>	<b>A</b>	<b>B</b>	<b>3</b>	<b>A10</b>	<b>N</b>	<b>P01</b>

## Filter element CU110

	<b>2</b>	<b>7</b>	<b>4</b>	<b>8</b>	<b>9</b>
	<input type="checkbox"/>	<input type="checkbox"/>	<input type="checkbox"/>	<input type="checkbox"/>	<input type="checkbox"/>
Example: CU110	<b>2</b>	<b>A10</b>	<b>A</b>	<b>N</b>	<b>P01</b>

### 1 - Style

Filter	Filter element
<b>110</b>	<b>110</b>
<b>112</b>	<b>110</b>
<b>116</b>	<b>110</b>
<b>118</b>	<b>110</b>
<b>119</b>	<b>110</b>

### 2 - Filter length

<b>1</b>
<b>2</b>
<b>3</b>
<b>4</b>

### 3 - Valves

<b>S</b>	Without bypass (excluded LMP 118 - 119)
<b>B</b>	With bypass
<input type="checkbox"/>	With bypass Opening pressure: on request

### 4 - Filter seals

<b>A</b>	NBR
<b>V</b>	FPM
<b>W</b>	NBR (Compatible with fluid HFA, HFB, HFC)
<input type="checkbox"/>	On request

### 5 - Connection

Type	MULTIPOINT
<b>A</b>	<b>G 3/4"</b>
<b>B</b>	<b>G 1"</b>
<b>C</b>	<b>3/4" NPT</b>
<b>D</b>	<b>1" NPT</b>
<b>E</b>	<b>SAE 12</b>
<b>F</b>	<b>SAE 16</b>

### 6 - Indicator port

<b>1</b>	No
<b>2</b>	A
<b>3</b>	B (excluded LMP 118 - 119)
<b>6</b>	A+B (excluded LMP 118 - 119)

### 7 - Filter element

<b>A01</b>	Inorganic microfibre* 1 µ	} Absolute filtration βx (c) ≥ 1000
<b>A03</b>	Inorganic microfibre 3 µ	
<b>A06</b>	Inorganic microfibre 6 µ	
<b>A10</b>	Inorganic microfibre 10 µ	
<b>A16</b>	Inorganic microfibre 16 µ	
<b>A25</b>	Inorganic microfibre 25 µ	

\* On request

<b>M25</b>	Wire mesh	} Nominal Filtration
<b>M60</b>	Wire mesh	
<b>M90</b>	Wire mesh	
<b>P10</b>	Resin impregnated paper	} Nominal Filtration
<b>P25</b>	Resin impregnated paper	

### 8 - Max filter element differential pressure

<b>N</b>	Δp 20 bar
----------	-----------

### 9 - Option

<b>P01</b>	MP Filtri standard
<b>Pxx</b>	On request

DIFFERENTIAL INDICATORS (see page 120)

**MP Filtri** - The filter functions as described in this bulletin are valid exclusively for original MP Filtri filter elements and replacement parts. All rights reserved

The data in this publication are purely guideline. MP Filtri reserves the right to make changes to the models described herein at any time it deems fit in relation to technical or commercial requirements. The colours of the products shown on the cover are purely guideline. Copyright. All rights reserved.



# LMP 120



**Maximum pressure 80 bar**  
**Flow rates to 200 l/min**

## Filter housing (Materials)

- Head: Aluminium
- Housing: Cathaphoresis Painting
- Bypass valve: Brass - Aluminium

## Pressure

### LMP 120/122/123 length: 1 - 2 - 3 - 4

- Working pressure: 80 bar (8 MPa)
- Test pressure: 120 bar (12 MPa)
- Burst pressure: 380 bar (38 MPa)
- Pulse pressure fatigue test: 1.000.000 cycles with pressure from 0 to 80 bar (8 MPa)

## Temperature

- From -25 °C to +110 °C

## Bypass valve

- Opening pressure 3.5 bar ±10%
- Other opening pressures on request.

## Δp Elements type

- Series N and W elements: 20 bar
- Oil flow from exterior to interior.

## Seals

- Standard NBR series A
- Optional FPM series V

## Weights (kg)

Length	Weight (kg)
LMP120 - 1	1,9
LMP120 - 2	2,1
LMP120 - 3	2,4
LMP120 - 4	2,9

## Volumes (dm<sup>3</sup>)

Length	Volume (dm <sup>3</sup> )
LMP120 - 1	0,75
LMP120 - 2	0,81
LMP120 - 3	1,11
LMP120 - 4	1,53

## Compatibility (to ISO 2943)

- Housings compatible with: Mineral oils, synthetic fluids. Aqueous emulsions, water and glycol (series W required).
- The filter elements are compatible with: Mineral oils, synthetic fluids. Aqueous emulsions, water and glycol (series W required).
- NBR seals series A, compatible with: Mineral oils, synthetic fluids, aqueous emulsions and water and glycol.
- FPM seals series V, compatible with: Synthetic fluids type HS-HFDR-HFDS-HFUD

Recommended maximum flow rate => see page 35

## Filter Element Area

Filter element in stainless steel mesh

Type	Length			
	1	2	3	4
CU 110	1302	1764	2464	3864

Values expressed in cm<sup>2</sup>

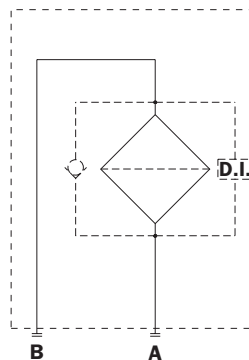
### LMP 120



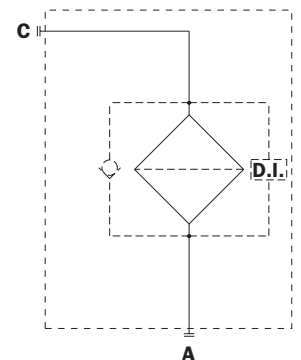
### LMP 122



Style  
LMP 120



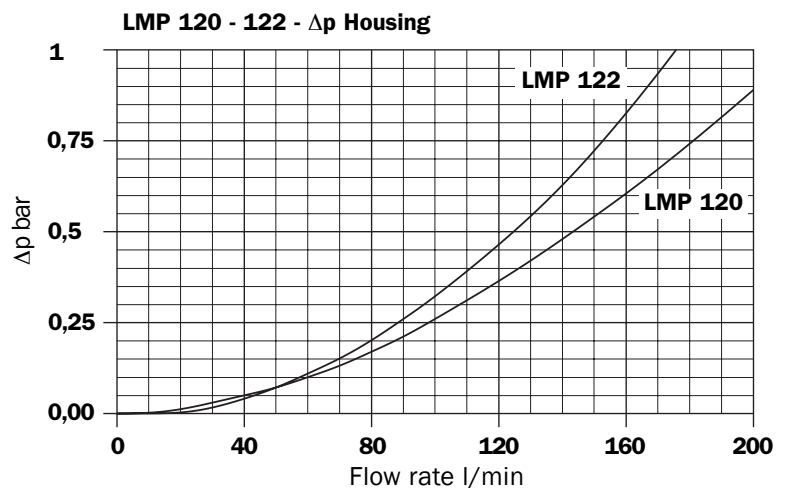
Style  
LMP 122



## Filter housings Δp pressure drop

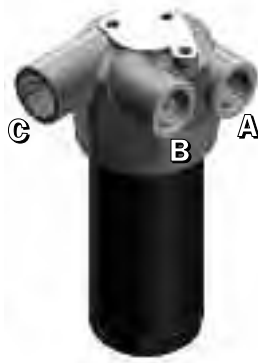
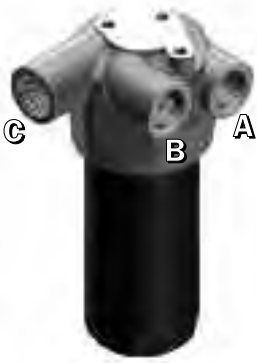
The curves are plotted utilising mineral oil with density of 0.86 kg/dm<sup>3</sup> to ISO 3968.

Δp varies proportionally with density.

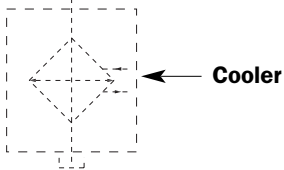
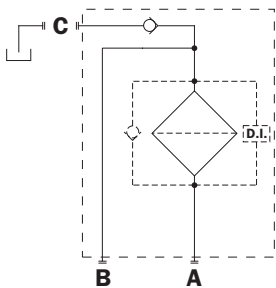


**LMP 123  
Type 1**

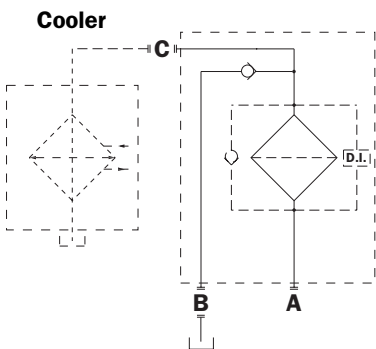
**LMP 123  
Type 2**



Style  
**LMP 123  
Type 1**



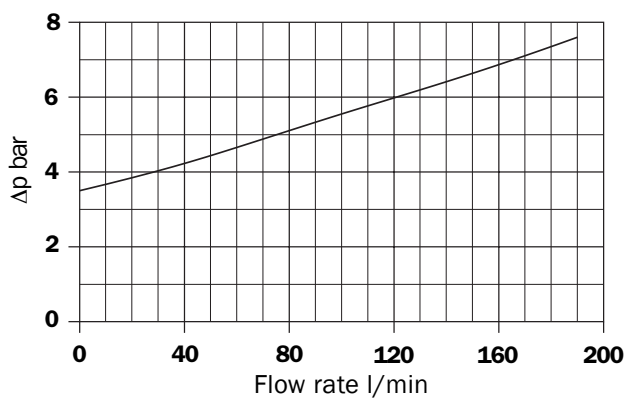
Style  
**LMP 123  
Type 2**



**Valves**

**Bypass valve pressure drop**

**LMP 120/LMP 123**

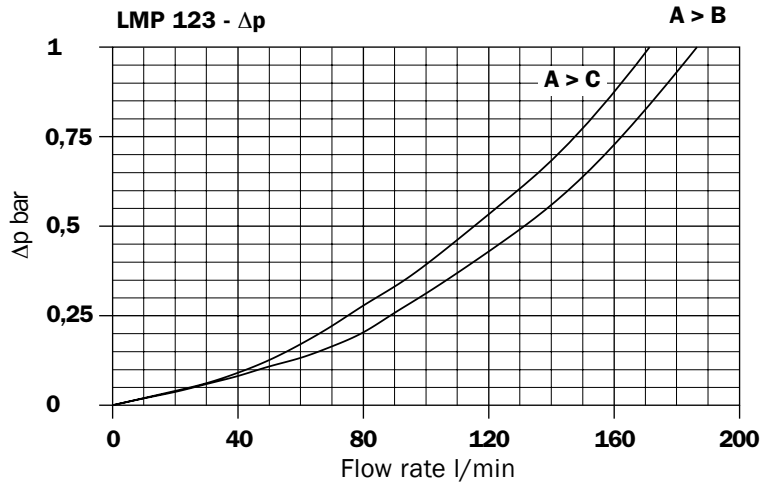


**Filter housings Δp pressure drop**

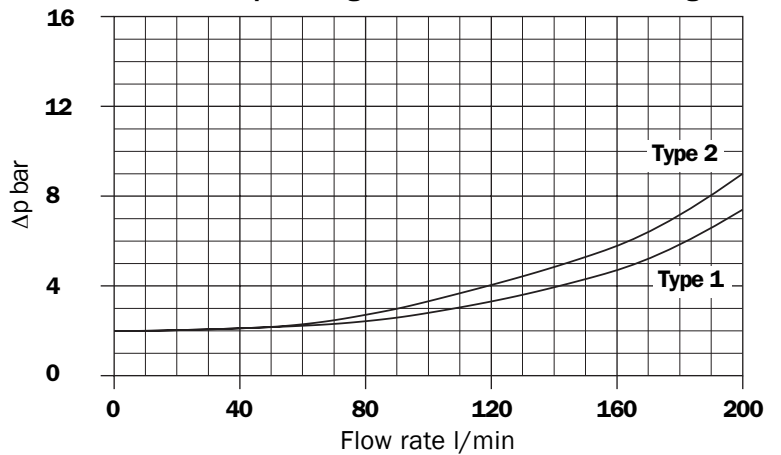
The curves are plotted utilising mineral oil with density of 0.86 kg/dm<sup>3</sup> to ISO 3968.

Δp varies proportionally with density.

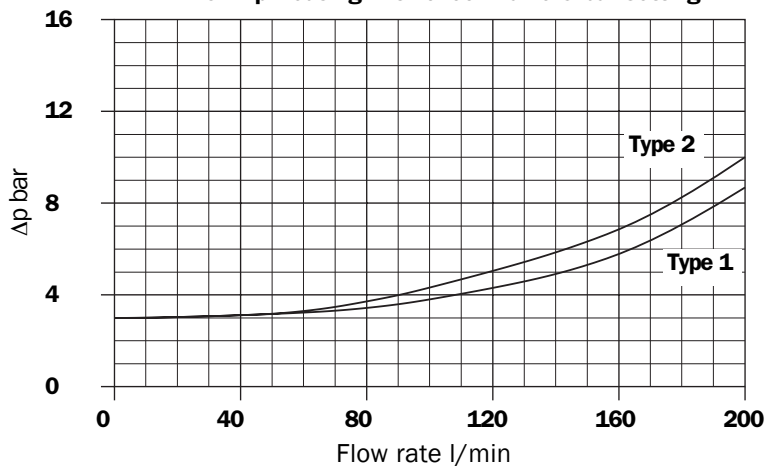
**LMP 123 - Δp**



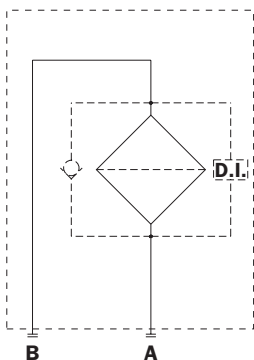
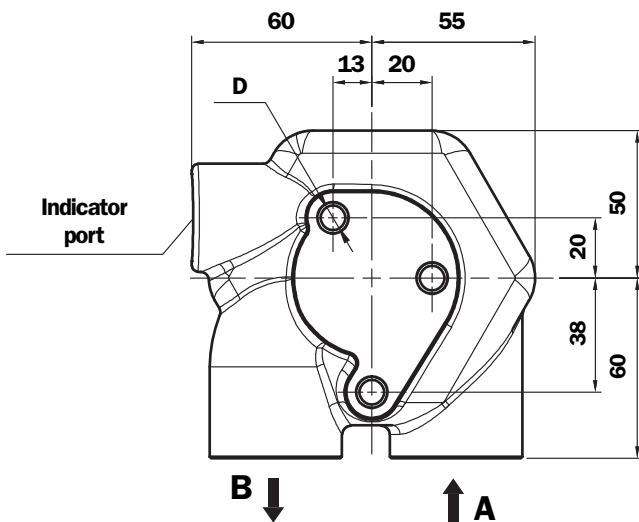
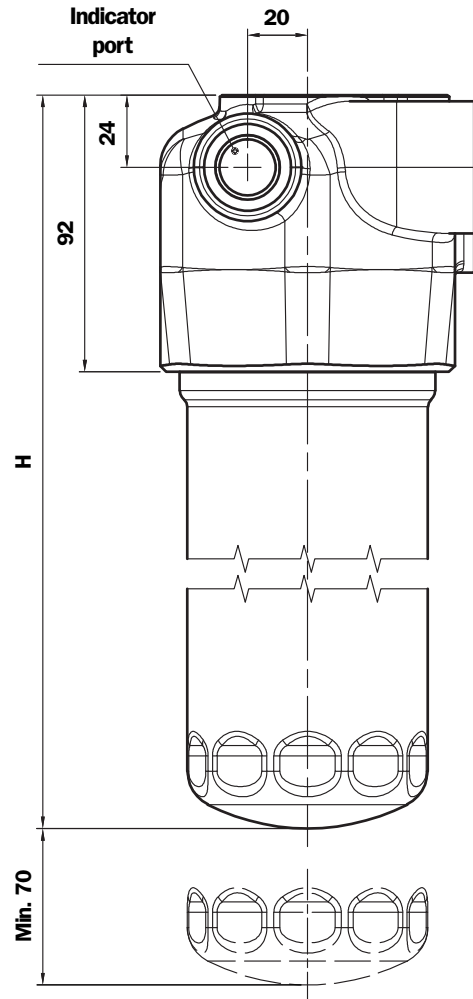
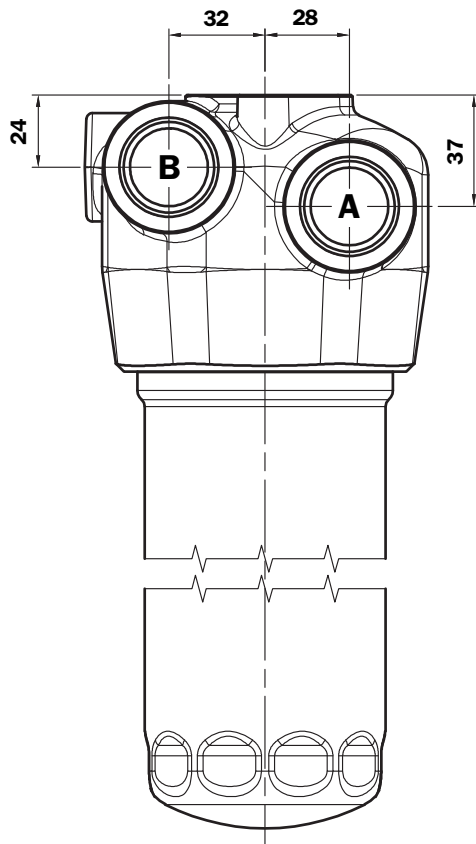
**LMP 123 - Δp Housing with check valve 2 bar setting**



**LMP 123 - Δp Housing with check valve 3 bar setting**



## LMP 120

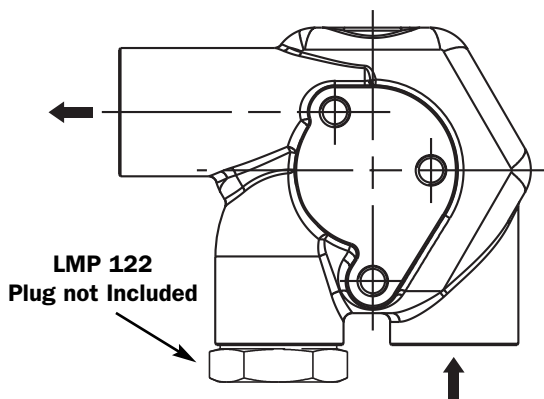
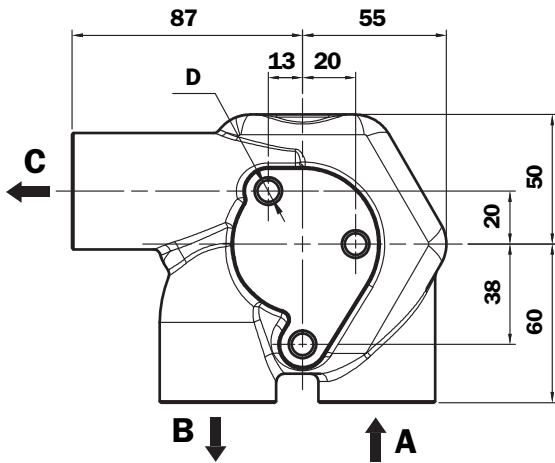
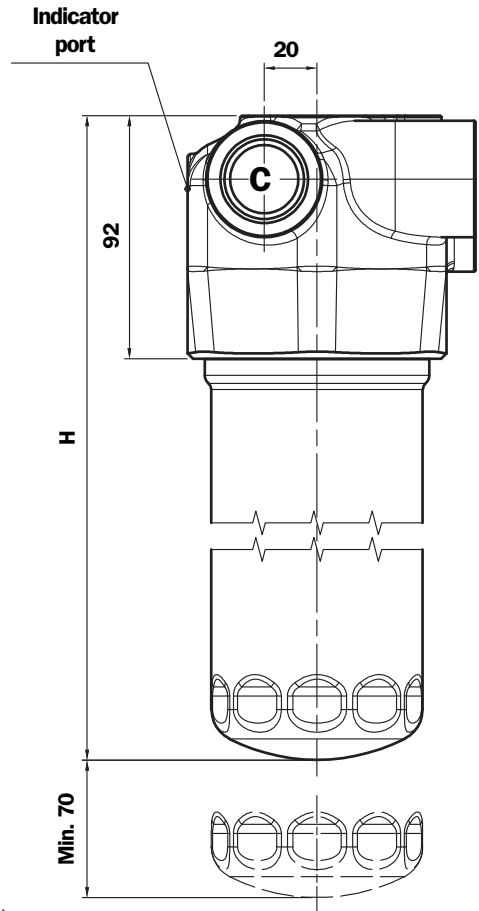
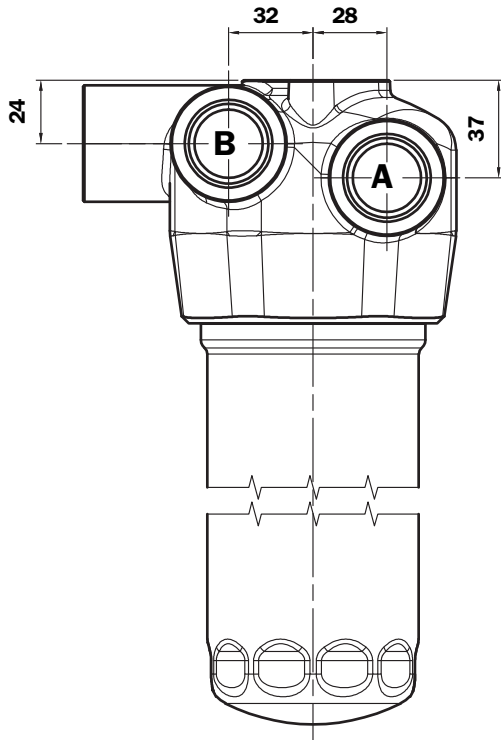


### LMP 120

Length Filter	H mm
1	182
2	215
3	265
4	365

St.	Connections A - B	Fixing holes D
A	G 3/4"	M10 x depth 12 mm
B	G 1"	M10 x depth 12 mm
C	3/4" NPT	3/8" UNC x depth 12 mm
D	1" NPT	3/8" UNC x depth 12 mm
E	SAE 12	3/8" UNC x depth 12 mm
F	SAE 16	3/8" UNC x depth 12 mm

# LMP 122 - 123

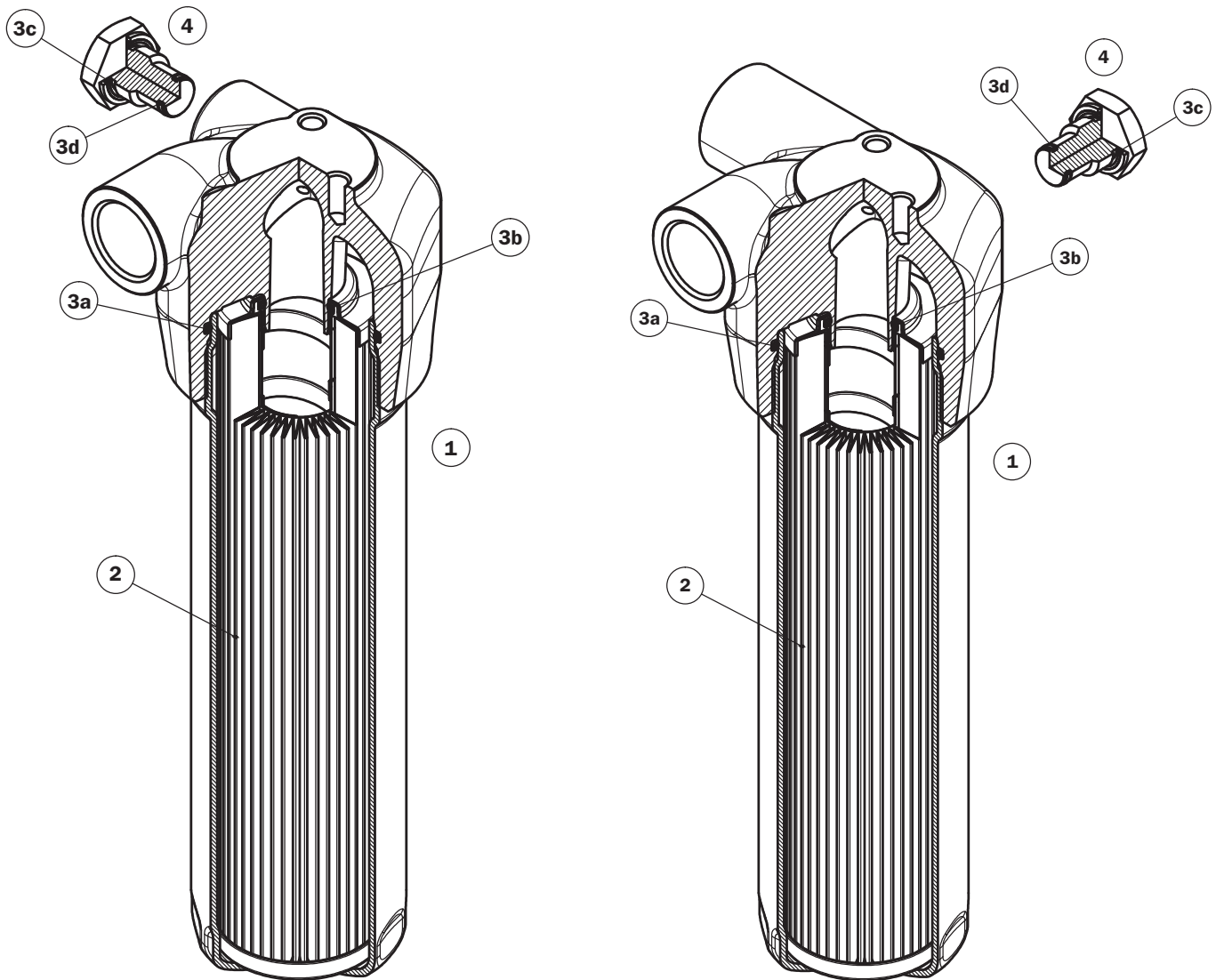


## LMP 122 - 123

Length Filter	H mm
1	182
2	215
3	265
4	365

St.	Connection A - B - C	Fixing holes D
B	G 1"	M10 x depth 12 mm
D	1" NPT	3/8" UNC x depth 12 mm
F	SAE 16	3/8" UNC x depth 12 mm

# Spare parts



Item	Description	Q.ty	FILTER Series LMP 120 - 122 - 123	
1	Filter assembly	1	See order table	
2	Filter element	1	See order table	
3	Seals Kit	1	NBR 02050478	FPM 02050479
3a	O-Ring for housing	1	O-R 4312 Ø 78,97 x 3,53	
3b	O-Ring for filter element	1	O-R 4125 Ø 31,34 x 3,53	
3c	Seal for indicator	1	NBR 01030058	FPM 01030046
3d	O-Ring for indicator	1	O-R 2050 Ø 12,42 x 1,78	
4	Indicator connection plug	1	T2H	T2V
-	Indicators	1	See order table	

# Ordering information LMP 120 - 122

## Filter assembly

### LMP

Example: LMP

<b>1</b>	<b>2</b>	<b>3</b>	<b>4</b>	<b>5</b>	<b>6</b>	<b>7</b>	<b>8</b>	<b>9</b>
<input type="checkbox"/>	<input type="checkbox"/>	<input type="checkbox"/>	<input type="checkbox"/>	<input type="checkbox"/>	<input type="checkbox"/>	<input type="checkbox"/>	<input type="checkbox"/>	<input type="checkbox"/>
<b>122</b>	<b>2</b>	<b>B</b>	<b>A</b>	<b>B</b>	<b>2</b>	<b>A10</b>	<b>N</b>	<b>P01</b>

## Filter element

### CU110

Example: CU110

<b>2</b>	<b>7</b>	<b>4</b>	<b>8</b>	<b>9</b>
<input type="checkbox"/>	<input type="checkbox"/>	<input type="checkbox"/>	<input type="checkbox"/>	<input type="checkbox"/>
<b>2</b>	<b>A10</b>	<b>A</b>	<b>N</b>	<b>P01</b>

### 1 - Style

#### Filter

- 120**
- 122**

#### Filter element

- 110**
- 110**

### 2 - Filter length

- 1**
- 2**
- 3**
- 4**

### 3 - Valve

- S** Without by-pass
- B** With bypass
- With by-pass  
Opening pressure: on request

### 4 - Filter seals

- A** NBR
- V** FPM
- W** NBR (Compatible with fluid HFA, HFB, HFC)
- On request

### 5 - Connection

Type	MULTIPOINT
<b>A</b>	<b>G 3/4" (not for LMP 122)</b>
<b>B</b>	<b>G 1"</b>
<b>C</b>	<b>3/4" NPT (not for LMP 122)</b>
<b>D</b>	<b>1" NPT</b>
<b>E</b>	<b>SAE 12 (not for LMP 122)</b>
<b>F</b>	<b>SAE 16</b>

### 6 - Indicator port

- 1** Without indicator port
- 2** With indicator port

### 7 - Filter element

- A01** Inorganic microfibre\* 1 µ
  - A03** Inorganic microfibre 3 µ
  - A06** Inorganic microfibre 6 µ
  - A10** Inorganic microfibre 10 µ
  - A16** Inorganic microfibre 16 µ
  - A25** Inorganic microfibre 25 µ
- } Absolute filtration  
βx (c) ≥ 1000

\* On request

- M25** Wire mesh
  - M60** Wire mesh
  - M90** Wire mesh
- } Nominal Filtration

- P10** Resin impregnated paper
  - P25** Resin impregnated paper
- } Nominal Filtration

### 8 - Max filter element differential pressure

- N** Δp 20 bar

### 9 - Option

- P01** MP Filtri standard
- Pxx** On request

DIFFERENTIAL INDICATORS (see page 120)

**MP Filtri** - The filter functions as described in this bulletin are valid exclusively for original MP Filtri filter elements and replacement parts. All rights reserved

The data in this publication are purely guideline. MP Filtri reserves the right to make changes to the models described herein at any time it deems fit in relation to technical or commercial requirements. The colours of the products shown on the cover are purely guideline. Copyright. All rights reserved.

# Ordering information LMP 123

## Filter assembly LMP

Example: LMP

1	2	3	4	5	6	7	8	9
<input type="checkbox"/>	<input type="checkbox"/>	<input type="checkbox"/>	<input type="checkbox"/>	<input type="checkbox"/>	<input type="checkbox"/>	<input type="checkbox"/>	<input type="checkbox"/>	<input type="checkbox"/>
123	2	C	A	B	2	A10	N	P01

## Filter element CU110

Example: CU110

2	7	4	8	9
<input type="checkbox"/>	<input type="checkbox"/>	<input type="checkbox"/>	<input type="checkbox"/>	<input type="checkbox"/>
2	A10	A	N	P01

### 1 - Style

Filter

123

Filter element

110

### 2 - Filter length

- 1
- 2
- 3
- 4

### 3 - Valves

#### Type 1 - Without bypass

- C Check valve 2 bar
- D Check valve 3 bar

#### Type 2 - Without bypass

- G Check valve 2 bar
- H Check valve 3 bar

#### Type 1 - With bypass

- M Check valve 2 bar
- N Check valve 3 bar

#### Type 2 - With bypass

- Q Check valve 2 bar
- R Check valve 3 bar

### 4 - Filter seals

- A NBR
- V FPM
- W NBR (Compatible with fluid HFA, HFB, HFC)
- On request

### 5 - Connection

Type	MULTIPOINT
B	G 1"
F	SAE 16

### 6 - Indicator port

- 1 Without indicator port
- 2 With indicator port

### 7 - Filter element

<input type="checkbox"/> A01	Inorganic microfibre* 1 µ	} Absolute filtration βx (c) ≥ 1000
<input type="checkbox"/> A03	Inorganic microfibre 3 µ	
<input type="checkbox"/> A06	Inorganic microfibre 6 µ	
<input type="checkbox"/> A10	Inorganic microfibre 10 µ	
<input type="checkbox"/> A16	Inorganic microfibre 16 µ	
<input type="checkbox"/> A25	Inorganic microfibre 25 µ	

\* On request

<input type="checkbox"/> M25	Wire mesh	} Nominal Filtration
<input type="checkbox"/> M60	Wire mesh	
<input type="checkbox"/> M90	Wire mesh	
<input type="checkbox"/> P10	Resin impregnated paper	} Nominal Filtration
<input type="checkbox"/> P25	Resin impregnated paper	

### 8 - Max filter element differential pressure

- N Δp 20 bar

### 9 - Option

- P01 MP Filtri standard
- Pxx On request

DIFFERENTIAL INDICATORS (see page 120)

**MP Filtri** - The filter functions as described in this bulletin are valid exclusively for original MP Filtri filter elements and replacement parts. All rights reserved

The data in this publication are purely guideline. MP Filtri reserves the right to make changes to the models described herein at any time it deems fit in relation to technical or commercial requirements. The colours of the products shown on the cover are purely guideline. Copyright. All rights reserved.



# LMP 124



## In-Line Suction and Return Filter



**Maximum pressure 80 bar**  
**Flow rates to 160 l/min**

## Filter housing (Materials)

- Head: Aluminium
- Housing: Cathaphoresis Painting
- Bypass valve: Brass - Aluminium

## Pressure

### LMP 124 length: 1 - 2 - 3 - 4

- Working pressure: 80 bar (8 MPa)
- Test pressure: 120 bar (12 MPa)
- Burst pressure: 380 bar (38 MPa)
- Pulse pressure fatigue test: 1.000.000 cycles with pressure from 0 to 80 bar (8 MPa)

## Temperature

- From -25 °C to +110 °C

## Bypass valve

- Opening pressure 2.5 bar ±10%
- Other opening pressures on request.

## Δp Elements type

- Series N and W elements: 20 bar
- Oil flow from exterior to interior.

## Seals

- Standard NBR series A
- Optional FPM series V

## Weights (kg)

### length

- LMP124 - 1 1,7
- LMP124 - 2 1,9
- LMP124 - 3 2,2
- LMP124 - 4 2,7

## Volumes (dm<sup>3</sup>)

### length

- LMP124 - 1 0,75
- LMP124 - 2 0,81
- LMP124 - 3 1,11
- LMP124 - 4 1,53

## Compatibility (to ISO 2943)

- Housings compatible with: Mineral oils, synthetic fluids. Aqueous emulsions, water and glycol (series W required).
- The filter elements are compatible with: Mineral oils, synthetic fluids. Aqueous emulsions, water and glycol (series W required).
- NBR seals series A, compatible with: Mineral oils, synthetic fluids, aqueous emulsions and water and glycol.
- FPM seals series V, compatible with: Synthetic fluids type HS-HFDR-HFDS-HFDU

## Filter Element Area

Filter element in stainless steel mesh

Type	Length			
	1	2	3	4
CU 110	1302	1764	2464	3864
Values expressed in cm <sup>2</sup>				

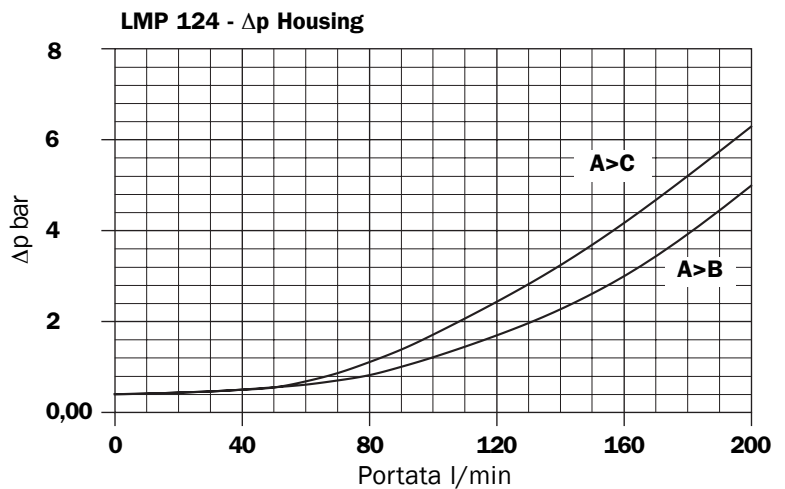
## LMP 124



## Filter housings Δp pressure drop

The curves are plotted utilising mineral oil with density of 0.86 kg/dm<sup>3</sup> to ISO 3968.

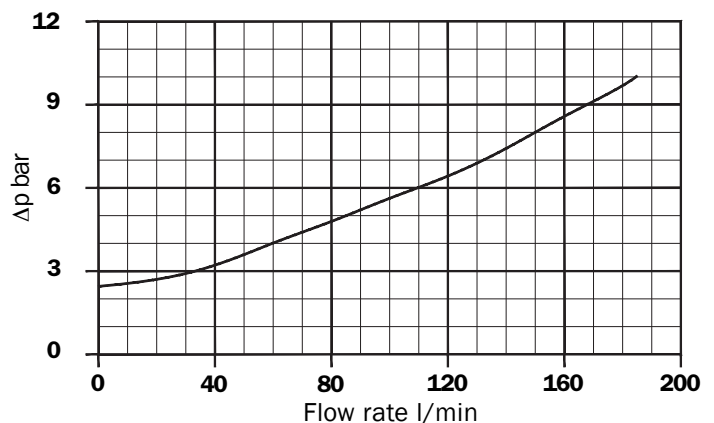
Δp varies proportionally with density.



## Valves

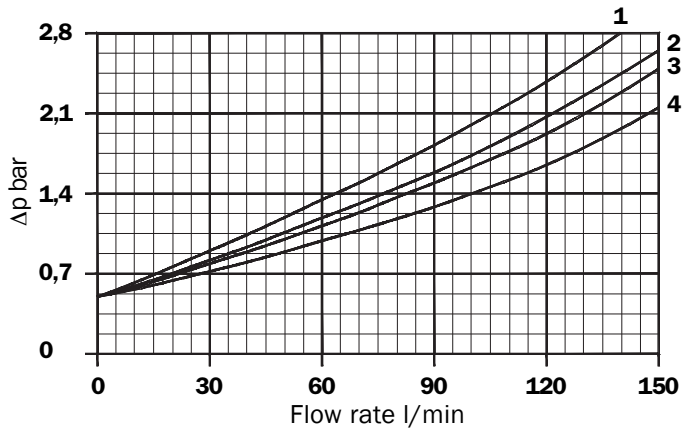
### Bypass valve pressure drop

### LMP 124

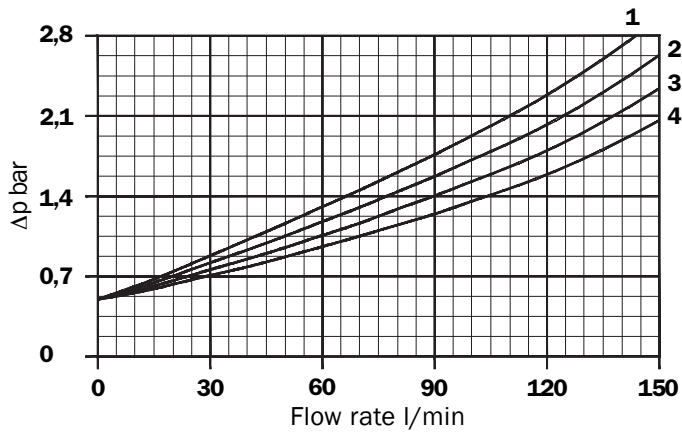


# Style C - D - E - F

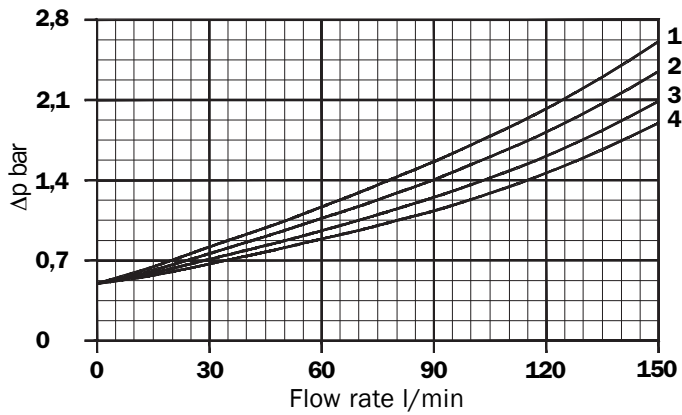
**Absolute filtration A10**



**Absolute filtration A16**

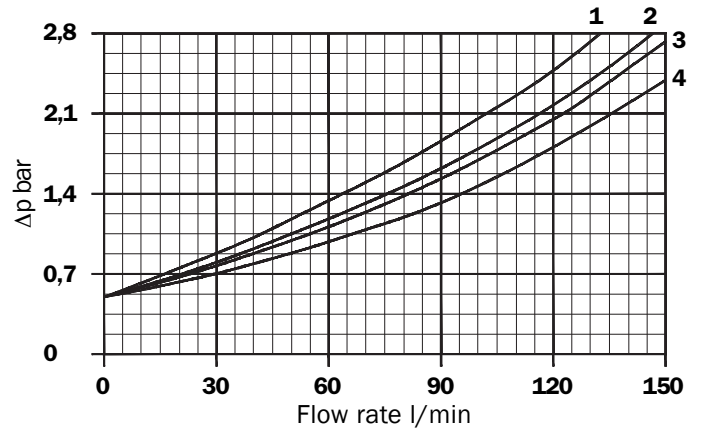


**Absolute filtration A25**

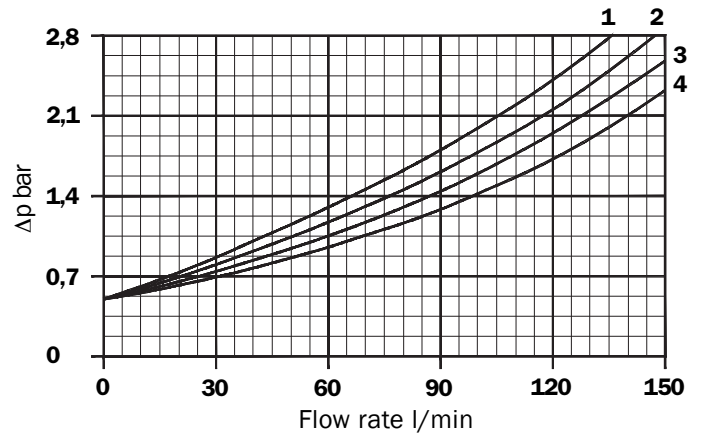


# Style G - H

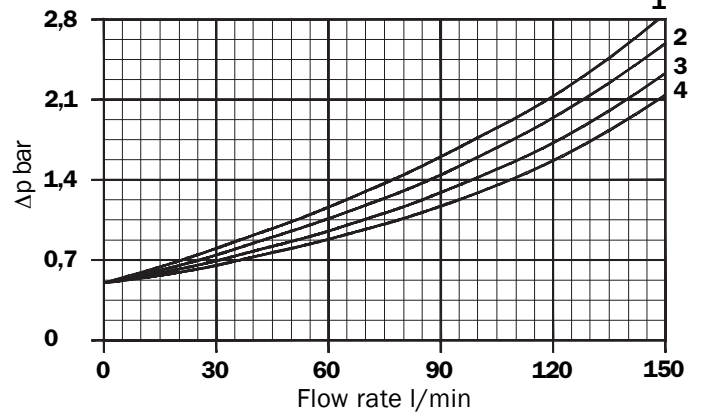
**Absolute filtration A10**



**Absolute filtration A16**



**Absolute filtration A25**

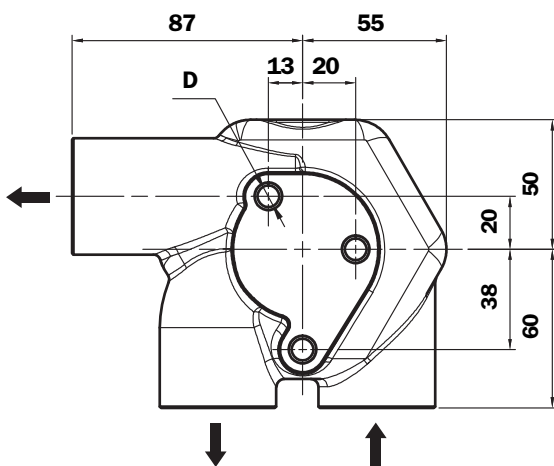
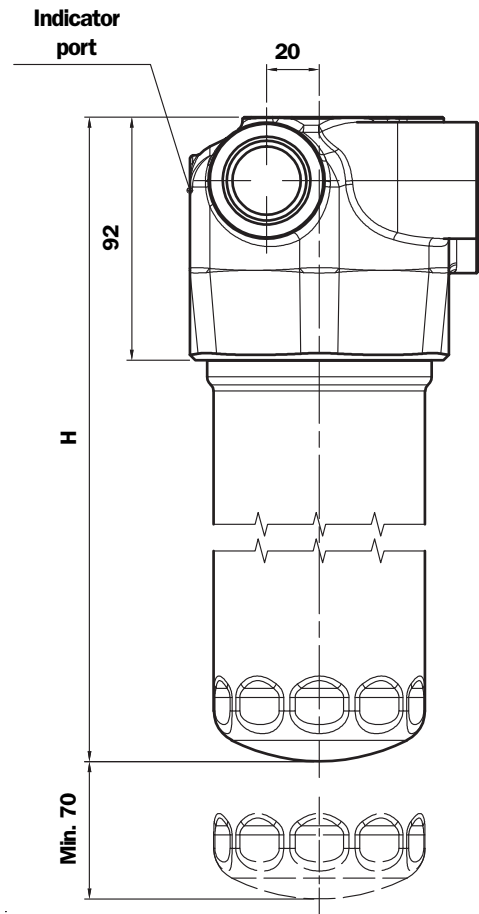
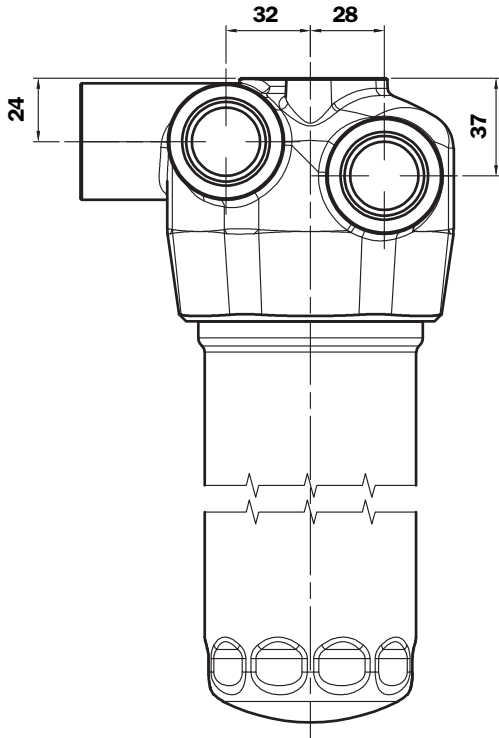


**Filter length**

- 1
- 2
- 3
- 4

# Dimensions

## LMP 124

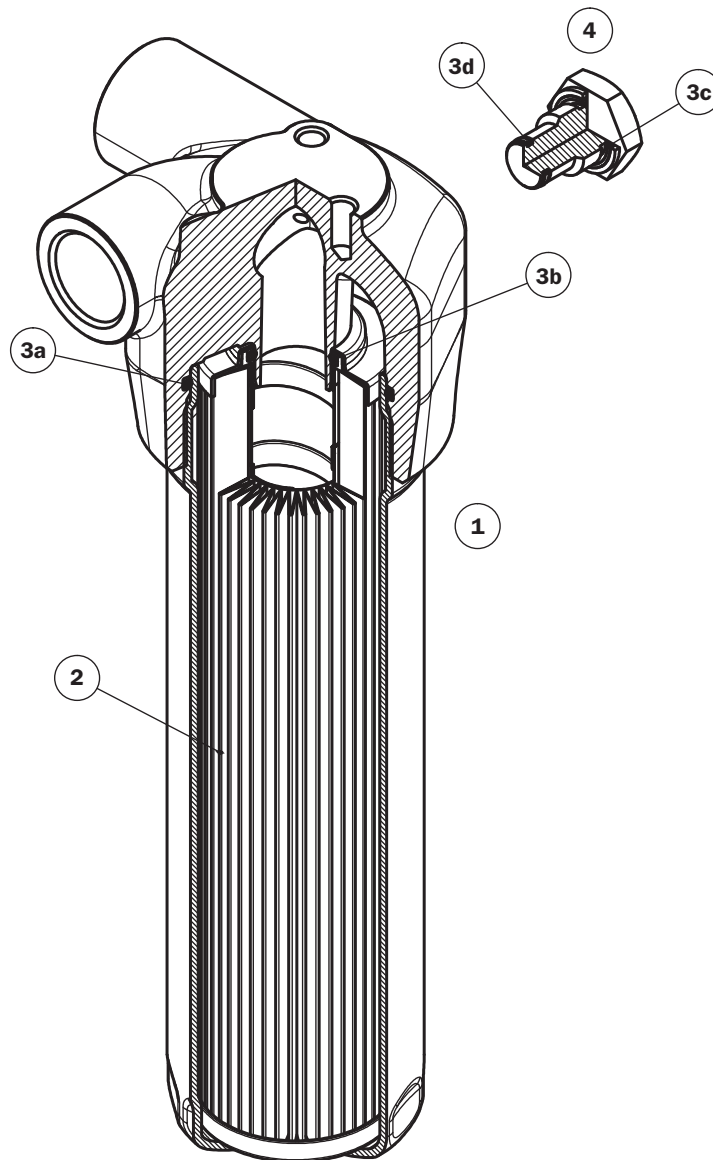


### LMP 124

Length Filter	H mm
1	182
2	215
3	265
4	365

St.	Connection A - B - C	Fixing holes D
B	G 1"	M10 x depth 12 mm
F	SAE 16	3/8" UNC x depth 12 mm

# Spare parts



Item	Description	Q.ty	FILTER Series LMP 124	
<b>1</b>	Filter assembly	1	See order table	
<b>2</b>	Filter element	1	See order table	
<b>3</b>	Seals Kit	1	NBR 02050478	FPM 02050479
<b>3a</b>	O-Ring for housing	1	O-R 4312 Ø 78,97 x 3,53	
<b>3b</b>	O-Ring for filter element	1	O-R 4125 Ø 31,34 x 3,53	
<b>3c</b>	Seal for indicator	1	NBR 01030058	FPM 01030046
<b>3d</b>	O-Ring for indicator	1	O-R 2050 Ø 12,42 x 1,78	
<b>4</b>	Indicator connection plug	1	T2H	T2V
-	Indicators	1	See order table	

**LMP 124**  
**Style C - D - E - F**

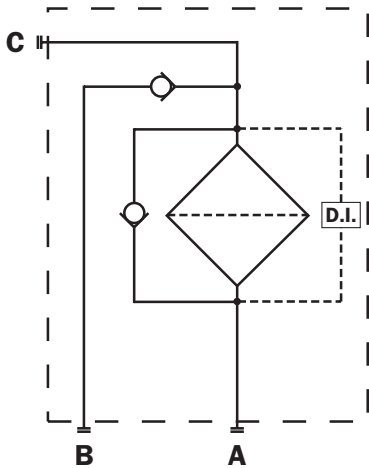


**LMP 124**  
**Style G - H**

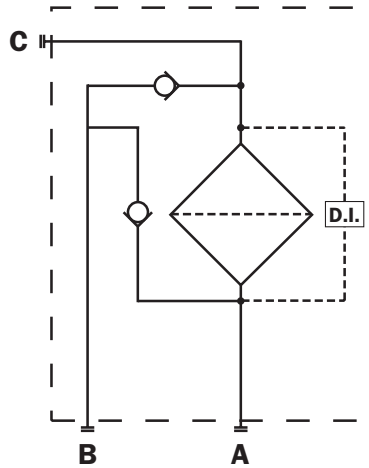


## Symbols

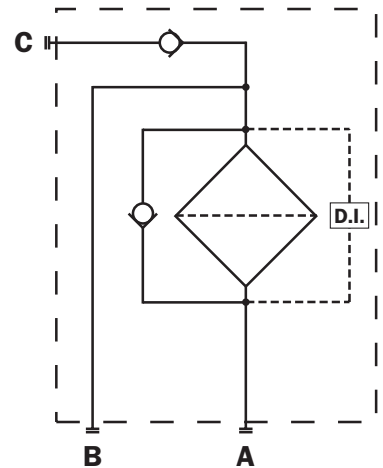
Style C  
**LMP 124**



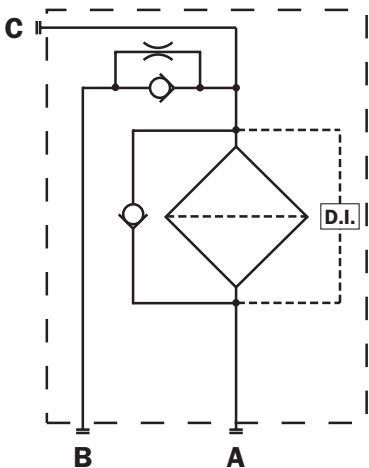
Style E  
**LMP 124**



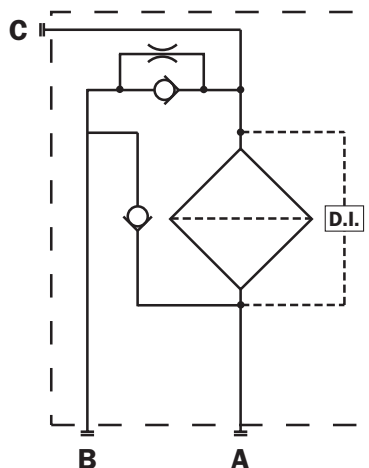
Style G  
**LMP 124**



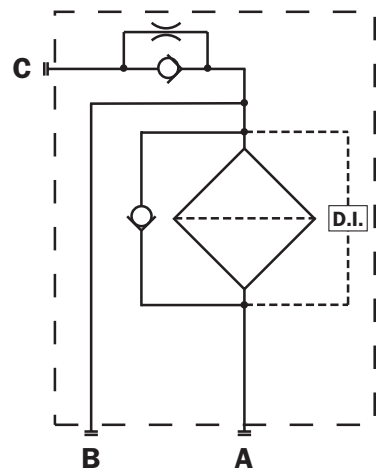
Style D  
**LMP 124**



Style F  
**LMP 124**



Style H  
**LMP 124**



# Ordering information LMP 124

## Filter assembly **LMP**

Example: LMP

<b>1</b>	<b>2</b>	<b>3</b>	<b>4</b>	<b>5</b>	<b>6</b>	<b>7</b>	<b>8</b>	<b>9</b>
<input type="checkbox"/>	<input type="checkbox"/>	<input type="checkbox"/>	<input type="checkbox"/>	<input type="checkbox"/>	<input type="checkbox"/>	<input type="checkbox"/>	<input type="checkbox"/>	<input type="checkbox"/>
<b>124</b>	<b>2</b>	<b>C</b>	<b>A</b>	<b>B</b>	<b>2</b>	<b>A10</b>	<b>N</b>	<b>P01</b>

## Filter element **CU110**

Example: CU110

<b>2</b>	<b>7</b>	<b>4</b>	<b>8</b>	<b>9</b>
<input type="checkbox"/>	<input type="checkbox"/>	<input type="checkbox"/>	<input type="checkbox"/>	<input type="checkbox"/>
<b>2</b>	<b>A10</b>	<b>A</b>	<b>N</b>	<b>P01</b>

### 1 - Style

Filter

**124**

Filter element

**110**

### 2 - Filter length

- 1**
- 2**
- 3**
- 4**

### 3 - Valves

- C**
- D**
- E**
- F**
- G**
- H**

see "SYMBOLS" (ref. to page 32)

### 4 - Filter seals

- A** NBR
- V** FPM
- W** NBR (Compatible with fluid HFA, HFB, HFC)
- On request

### 5 - Connection

Type	MULTIPOINT
<b>B</b>	<b>G 1"</b>
<b>F</b>	<b>SAE 16</b>

### 6 - Indicator port

- 1** No
- 2** Port G 1/8" switch  
For pressure switch
- 3** Port G 1/4"  
For pressure switch
- 4** Differential indicator port

### 7 - Filter element

- A10** Inorganic microfibre 10  $\mu$
  - A16** Inorganic microfibre 16  $\mu$
  - A25** Inorganic microfibre 25  $\mu$
- Absolute filtration  
 $\beta_x(c) \geq 1000$

### 8 - Max filter element differential pressure

- N**  $\Delta p$  20 bar

### 9 - Option

- P01** MP Filtri standard
- Pxx** Customer request

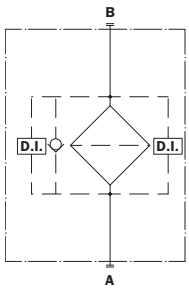
DIFFERENTIAL INDICATORS (see page 120)

**MP Filtri** - The filter functions as described in this bulletin are valid exclusively for original MP Filtri filter elements and replacement parts. All rights reserved

The data in this publication are purely guideline. MP Filtri reserves the right to make changes to the models described herein at any time it deems fit in relation to technical or commercial requirements. The colours of the products shown on the cover are purely guideline. Copyright. All rights reserved.

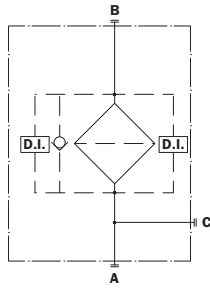
# Symbols "MULTIPOINT"

Style  
**LMP 110**



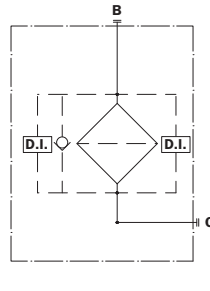
In-Line filter

Style  
**LMP 112**



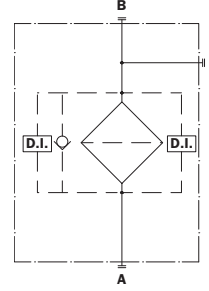
In-Line filter  
Double IN port

Style  
**LMP 112**



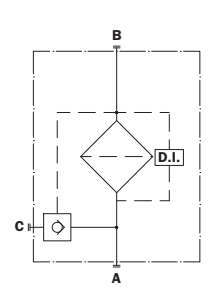
In-Line filter  
Lateral IN port

Style  
**LMP 116**



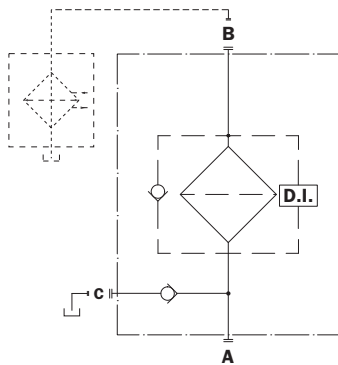
In-Line filter  
Lateral OUT port

Style  
**LMP 118**



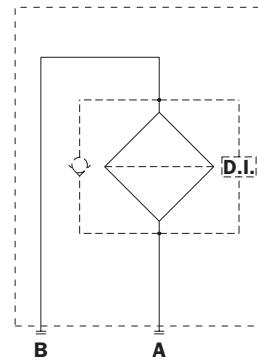
In-Line filter  
Bypass lateral.  
Always cleaning fluid in OUT port

Style  
**LMP 119**



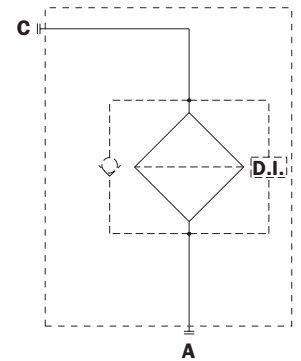
In-Line filter  
Safety valve 6 bar  
for heat exchanger

Style  
**LMP 120**



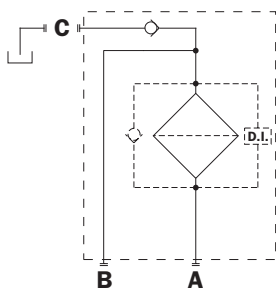
In-Line filter  
Port IN-OUT on the  
same side

Style  
**LMP 122**



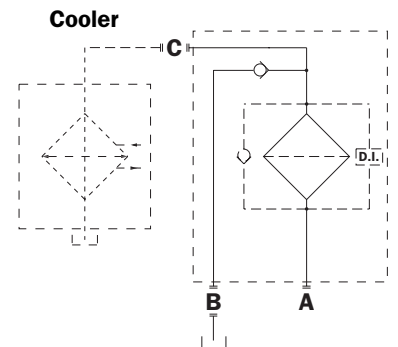
In-Line filter  
Lateral OUT port  
high flow

Style  
**LMP 123  
Type 1**



In-Line filter  
Bypass valve for heat  
exchanger high flow

Style  
**LMP 123  
Type 2**



Cooler



# Recommended maximum flow rate "MULTIPOINT"

## Recommended maximum flow rate

- Pressure drop of filter assembly equal to  $\Delta p$  0.7 bar.
- Oil kinematic viscosity 30 mm<sup>2</sup>/s (cSt).
- Density 0.86 kg/dm<sup>3</sup>.

### Filtration

	Length	A03	A06	A10	A16	A25	P10	P25	M25
<b>LMP 110 - 119</b>	1	40	42	63	68	83	114	153	111
	2	49	57	80	82	97	130	155	128
	3	45	69	88	98	118	135	158	133
	4	66	98	112	117	136	140	160	140

Flow rate l/min

### Filtration

	Length	A03	A06	A10	A16	A25	P10	P25	M25
<b>LMP 112</b>	1	36	37	55	57	65	85	112	83
	2	43	49	65	67	75	94	114	93
	3	54	58	70	76	87	96	115	95
	4	66	76	87	88	96	98	115	98

Flow rate l/min

### Filtration

	Length	A03	A06	A10	A16	A25	P10	P25	M25
<b>LMP 116</b>	1	36	37	53	56	64	80	95	77
	2	43	47	64	65	72	87	96	86
	3	55	56	67	73	83	89	97	88
	4	63	72	79	83	87	92	98	90

Flow rate l/min

### Filtration

	Length	A03	A06	A10	A16	A25	P10	P25	M25
<b>LMP 120</b>	1	39	42	66	69	87	129	187	126
	2	48	57	86	88	108	153	187	150
	3	67	72	97	110	136	161	188	158
	4	88	108	128	135	162	170	190	168

Flow rate l/min

### Filtration

	Length	A03	A06	A10	A16	A25	P10	P25	M25
<b>LMP 122</b>	1	42	44	70	74	92	137	205	132
	2	52	61	90	91	115	163	205	159
	3	72	77	100	113	141	173	208	169
	4	93	113	133	143	172	180	215	178

Flow rate l/min