

SERIES
SF2-250
SUCTION FILTER



MPFILTRI
filtri per oleodinamica



Flow rate to 45 gpm

Description

SF2 250

The SF2 series suction filter are designed for reservoir side-wall applications.

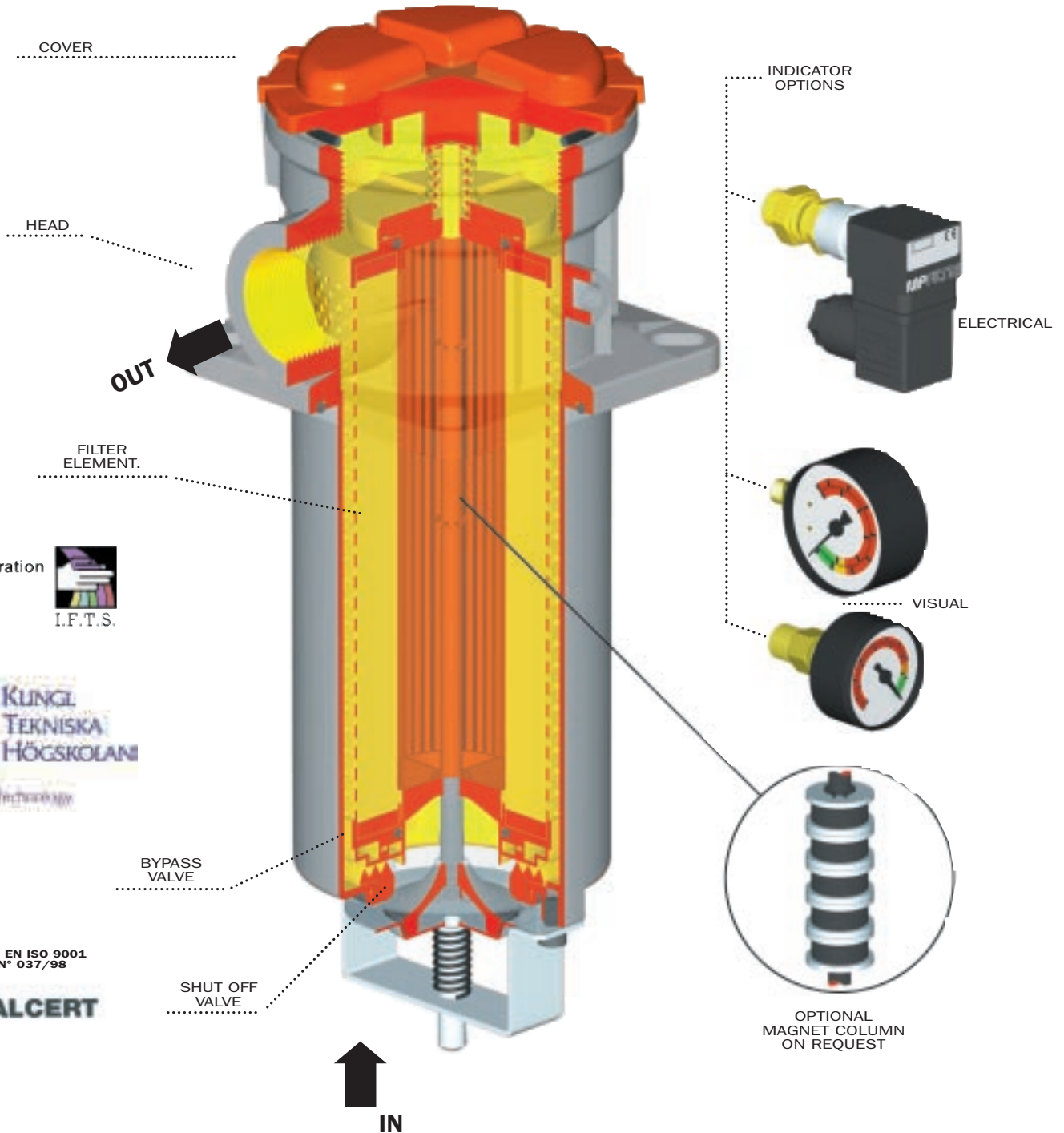
This completely new design of filter allows the filter element to be replaced without having to drain the oil from the reservoir.

Unscrewing the filter cover operates a shut off valve

within the filter preventing oil loss from the reservoir.

The SF2 250 filter uses a vacuum gauge or electrical vacuum switch for filter element indication.

These filters are particularly suitable for power pack, mobile, construction and industrial machinery application.



Institute of Filtration
(France)



Filter element:

Materials

End caps:

Nylon

Support tube:

Steel

Support frames:

Expanded metal

Element material Nominal filtration

M Series

Square wire mesh (filtration degree is defined in microns by the maximum diameter of a sphere corresponding to the mesh size).

Filtering area Filter elements

Type SF2	250
M25	310
M60	310
M90	310
M250	310

Values in IN²

Filter body:

Materials

Head

Pressure die cast aluminium

Seals

A Series: Nitrile (Buna-N)
V Series: Viton

Cover

Nylon

Indicator

Brass

Working temperature

From -13 to +230°F
For temperature outside this range, please
consult our Sales Network Organization

Bypass valve Setting pressure

Bypass valve, differential opening pressure: **4.5Psi ± 10%**

Compatibility with fluids

Filter head and bowls

compatible for use with:

- mineral oils (types HH-HL-HM-HR-HV-HG as per ISO 6743/4)
 - water-based emulsions (types HFAE-HFAS as per ISO 6743/4)
 - synthetic fluids (types HS-HFDR-HFDS-HFDU as per ISO 6743/4)
 - water-glycol (types HFC as per ISO 6743/4)
- Ask for anodised version**

Filter elements

As per ISO 2943; suitable for mineral oils (types HH-HL-HM-HR-HV-HG as per ISO 6743/4) synthetic fluids (A and M series only) (types HS-HFDR-HFDS-HFDU as per ISO 6743/4)

For water-based emulsions (type HFAE-HFAS as per ISO 6743/4) and fluids other than those mentioned, please consult our Sales Network Organization.

Seals

A Series

Nitrile (Buna-N) compatible with mineral oils (types HH-HL-HM-HR-HV-HG as per ISO 6743/4) water - based emulsions (types HFAE-HFAS as per ISO 6743/4)

V Series

Viton compatible with synthetic fluids (types HS-HFDR-HFDS-HFDU as per ISO 6743/4)

Types of indicator

Description:

SF2 250 series filters are fitted with visual and electrical indicators.

Visual indicator

V Series (radial)
V0 Series (axial)

vacuummeter: scale 0-30 In HG
vacuummeter: scale 0-30 In HG

Electrical indicator

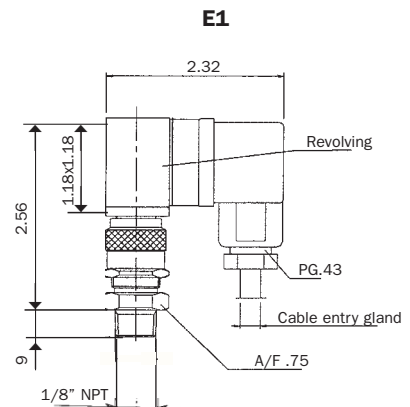
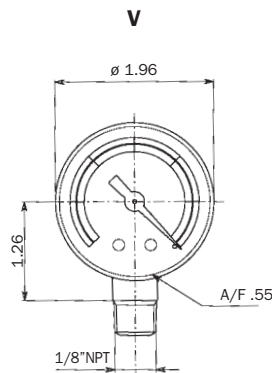
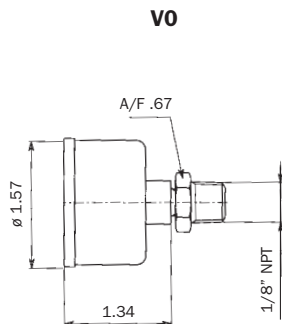
E1 Series:

vacuum switch with change-over contacts (setting std. 3 Psi \pm 10%) (adjustable setting: 2.5 to 12.5 Psi)

Operational information:

Max voltage: 250 V 50 \div 60 Hz
Max current: 5 A resistive,
2 A inductive.

Protection degree IP65



Selection & installation information

Filter element types

M Series

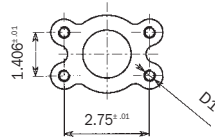
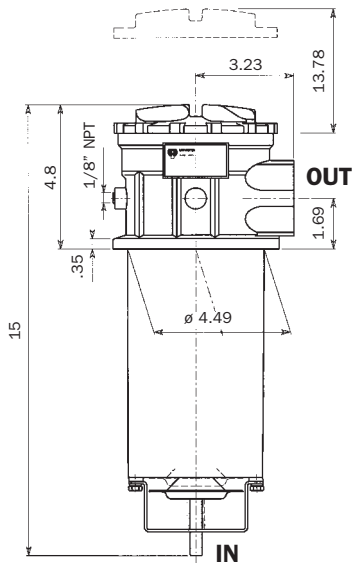
Metal mesh media, available in 25, 60, 90, 250 micron
Example - **M25, M60, M90 and M250**

Please refer to individual pressure drop curves to obtain filter assembly pressure drop information

The following filter sizing recommendations are based using a mineral oil fluid at 150 SUS with a maximum total filter assembly (housing and filter element) pressure drop of **1.15 Psi**.

SF2 SERIES 250 SIZE

SF2 250



Filter element	Flow rate gpm option 1"	Flow rate gpm option 1 1/4"	Flow rate gpm option 1 1/2"	Weight Lbs **
M25	26	37	37	6
M60	26	37	40	
M90	26	40	43	
M250	26	40	43	

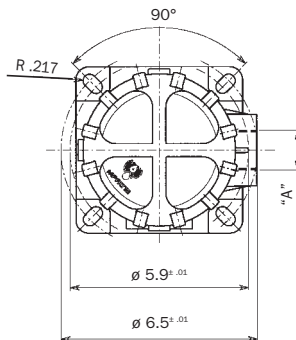
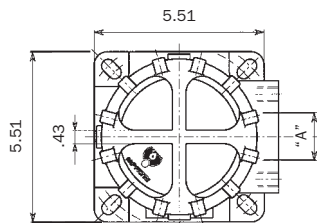
* Flow rates are based using a mineral oil fluid at 150 SUS.
** Weight including filter element

Thread connections

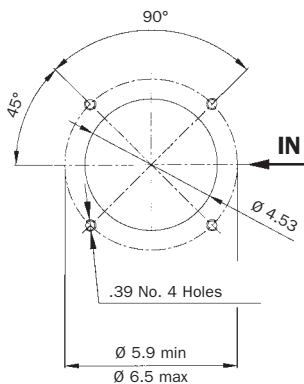
Type	A	Type	A
G1	1 1/2" BSP	G6	SAE 20
G2	1 1/2" NPT	G7	1" BSP
G3	SAE 24	G8	1" NPT
G4	1 1/4" BSP	G9	SAE 16
G5	1 1/4" NPT		

Flange connections

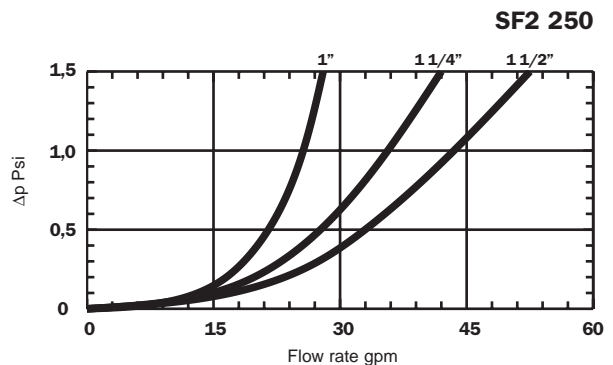
Type	A	D1
F1	1 1/2" SAE 3000PSI/M	M12
F2	1 1/2" SAE 3000PSI/UNC	1/2" UNC



HOLES ON THE TANK



Filter housing pressure drop



Pressure drop information

General

Pressure drop versus flow rate curve information for both housing and filter elements is in accordance with ISO 3968

Filter assembly pressure drop - $\Delta p_{\text{Total}} = \Delta p_{\text{Housing}} + \Delta p_{\text{Filter element}}$

Housing pressure drop - The housing pressure drop is proportional to the fluid density

Filter element pressure drop - Filter element pressure drop is proportional to kinematic viscosity therefore always check the fluid operating temperature and fluid type to obtain the working viscosity according to the following formula:

$$\Delta p_1 \text{ Filter element} = (\text{working viscosity}/\text{brochure viscosity}) \times \Delta p \text{ filter element}$$

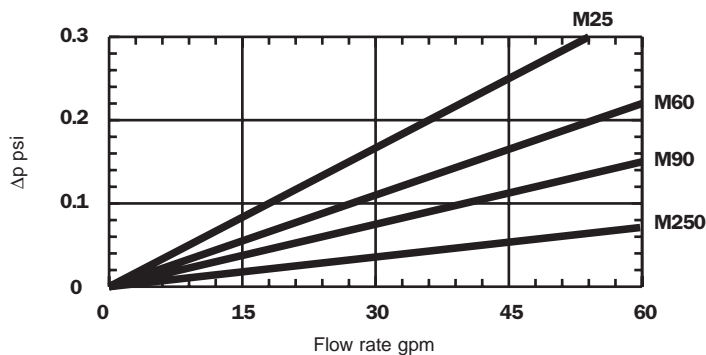
Brochure viscosity = 150 SUS

Filter assembly sizing example

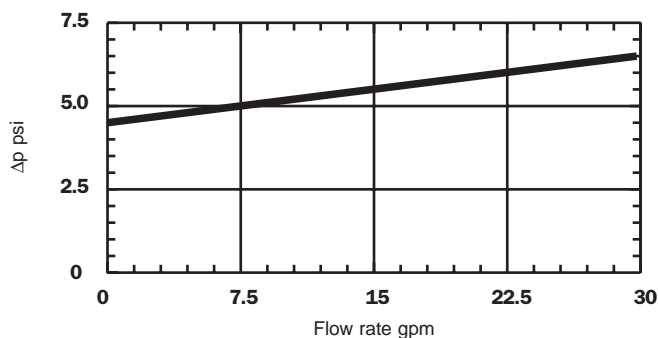
Selection

- Customer requires a 37 gpm filter assembly • 1" 1/2 port size
- Mineral oil fluid: ISO VG 46 (212 SUS) at 104°F
- M90 - 90 micron filtration
- **Housing pressure drop** - SF2 250 (1" 1/2 port size) with 37 gpm $\Delta p = 0.75$ psi (see curve on page 5)
- **Filter element pressure drop** (brochure viscosity) - SF2 250 M90 N with 37 gpm $\Delta p = 0.1$ psi (see curve on page 6)
- **Filter element pressure drop** (working viscosity) - With 212 SUS $\Delta p_1 = 0.1 \times (212/150) = 0.14$ psi
- **Filter assembly pressure drop** $\Delta p_{\text{Total}} = \Delta p_{\text{Housing}} + \Delta p_1 \text{ Filter element} = 0.75 + 0.14 = 0.89 \text{ psi}^*$ { * Acceptable pressure drop as per our recommendations

Filter element pressure drop



Bypass valve pressure drop



Ordering code example

SF2

250

A

G1

H

M25

VS

This example shows how order a filter assembly with features based on the customer request.

Nominal size

250

Seals

A Nitrile (Buna-N)
V Viton

Port option

Type	SF2 250
G1	1 1/2" BSP
G2	1 1/2" NPT
G3	SAE 4
G4	1 1/4" BSP
G5	1 1/4" NPT
G6	SAE 20
G7	1" BSP
G8	1" NPT
G9	SAE 16
F1	1 1/2" SAE 3000 PSI/M
F2	1 1/2" SAE 3000 PSI/UNC

Filter condition indicator

S With threaded hole only
T1 With hole + plug
V0 Visual (axial vacuumeter)
VS Visual (radial vacuumeter)
E1 Electrical (change-over contacts vacuumeter)

Filter elements

M25
M60
M90
M250
Square wire mesh

Options

H Without By-pass, without magnet
R With By-pass and magnet
S With By-pass, without magnet
Q Without By-pass and magnet

Seals (only for filter elements)

N Buna N
V Viton

SF

250

M25

N

This example shows how order a filter element with features based on the customer request

Replacement element

MP Filtri - Filtration products will only be guaranteed if original MP Filtri replacement elements and spares are used

Data held in this publication is given only for indicative purposes. MP Filtri reserves to introduce modifications to described items for technical or commercial reasons. Copyright reserved.



New Headquarters:

MP FILTRI S.p.A. Italy

Via 1° Maggio, n. 3
20060 Pessano con Bornago
(Milan) Italy
Tel. +39.02/95703.1
Fax +39.02/95741497-95740188
email: sales@mpfiltri.com
www.mpfiltri.it - www.mpfiltri.com

GREAT BRITAIN

MP FILTRI U.K. Ltd.

Bourton Industrial Park
Bourton on the Water
Gloucestershire GL54 2HQ UK
Phone: +44.01451-822522
Fax: +44.01451-822282
email: sales@mpfiltri.co.uk
www.mpfiltri.co.uk

GERMANY

MP FILTRI Germany GmbH

Hans - Wilhelmi - Straße 2
DE-66386 St. Ingbert
Phone: +49.(0)6894-95652-0
Fax: +49.(0)6894-95652-20
email: sales@mpfiltri.de
www.mpfiltri.de

FRANCE

MP FILTRI FRANCE Sas

Parc d'activités des Chanteraines
8 rue du Commandant d'Estienne
d'Orves, Immeuble D3
92396 Villeneuve la Garenne - France
Phone: +33(0)1.40.86.47.00
Fax: +33(0)1.40.86.47.09
email: sales@mpfiltrifrance.com
www.mpfiltri.fr

USA

MP FILTRI USA Inc.

2055 Quaker Pointe Drive
Quakertown, PA 18951
Phone: +1.215-529-1300
Fax: +1.215-529-1902
email: sales@mpfiltriusa.com
www.mpfiltriusa.com

CANADA

MP FILTRI CANADA Inc.

8831 Keele Street, Concord,
Ontario L4K 2N1, Canada
Phone: +1.905-303-1369
Fax: +1.905-303-7256
email: mail@mpfiltricanada.com
www.mpfiltricanada.com

RUSSIAN FEDERATION

ITALFILTRI

Yuryevskiy Pereulok 13 a, Building 1
111020 Moscow, Russia
Phone/Fax: +7(495)220-94-60
email: mpfiltrirusia@yahoo.com
www.mpfiltri.ru

CHINA

MP FILTRI (Shanghai) Co. Ltd.

1280 Lianxi Road, 8 Bld - 2 Floor
Shanghai, Pudong
201204 P.R. China
Phone: + 86.21-58919916
Fax: + 86.21-58919667
email: sales@mpfiltrishanghai.com
www.mpfiltri.com

INDIA

MP FILTRI INDIA Pvt. Ltd.

Plot-7F, Raj Pinnacle
Beside RMZ Centennial,
Brookefield Road, Whitefield,
Bangalore 560048 - India
Phone: +91-80-4147 7444/4146 1444
Fax: +91-80-41461888
email: sales@mpfiltri.co.in
www.mpfiltri.com