

FHF 325

**Filter housing in according to
SAE J2066 for HF4 filter elements**

**Maximum pressure 350 bar
Flow rates to 500 l/min**



Technical data

Filter housing (Materials)

- Head: Cast iron (chemical heat treatment)
- Housing: Steel (chemical heat treatment)
- Cover: Cast iron (chemical heat treatment)
- Bypass valve: Brass - Steel

Pressure

- Working pressure: 350 bar (35 MPa)
- Test pressure: 525 bar (52.5 MPa)
- Burst pressure: 1050 bar (105 MPa)
- Pulse pressure fatigue test: 1.000.000 cycles with pressure from 0 to 350 bar (35 MPa)

Temperature

- From -25 °C to +110 °C

Bypass valve

- Opening pressure 6 bar ±10%
- Other opening pressures on request.

Δp Elements type

- Microfibre filter elements series N: 20 bar
- Wire mesh filter elements series N: 20 bar
- Fluid flow through the filter element from OUT to IN.

Seals

- Standard NBR series A
- Optional FPM series V

FHF FILTERS ARE PROVIDED FOR VERTICAL MOUNTING

Weights (kg)

Length	1	2	3
• FHF325	23.90	32.68	41.47

Volumes (dm³)

Length	1	2	3
• FHF325	3.50	5.80	8.11

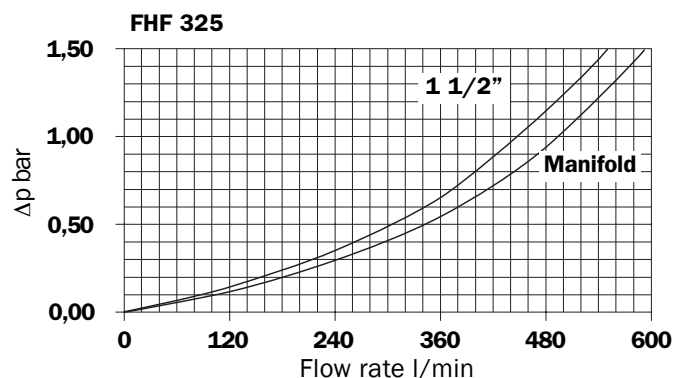
Connections

- FHF 325: In-line threaded connection
- FHF 325: In-line flanged connection
- FHF 325: Manifold connection

Filter housings Δp pressure drop

The curves are plotted utilising mineral oil with density of 0.86 kg/dm³ to ISO 3968.

Δp varies proportionally with density.



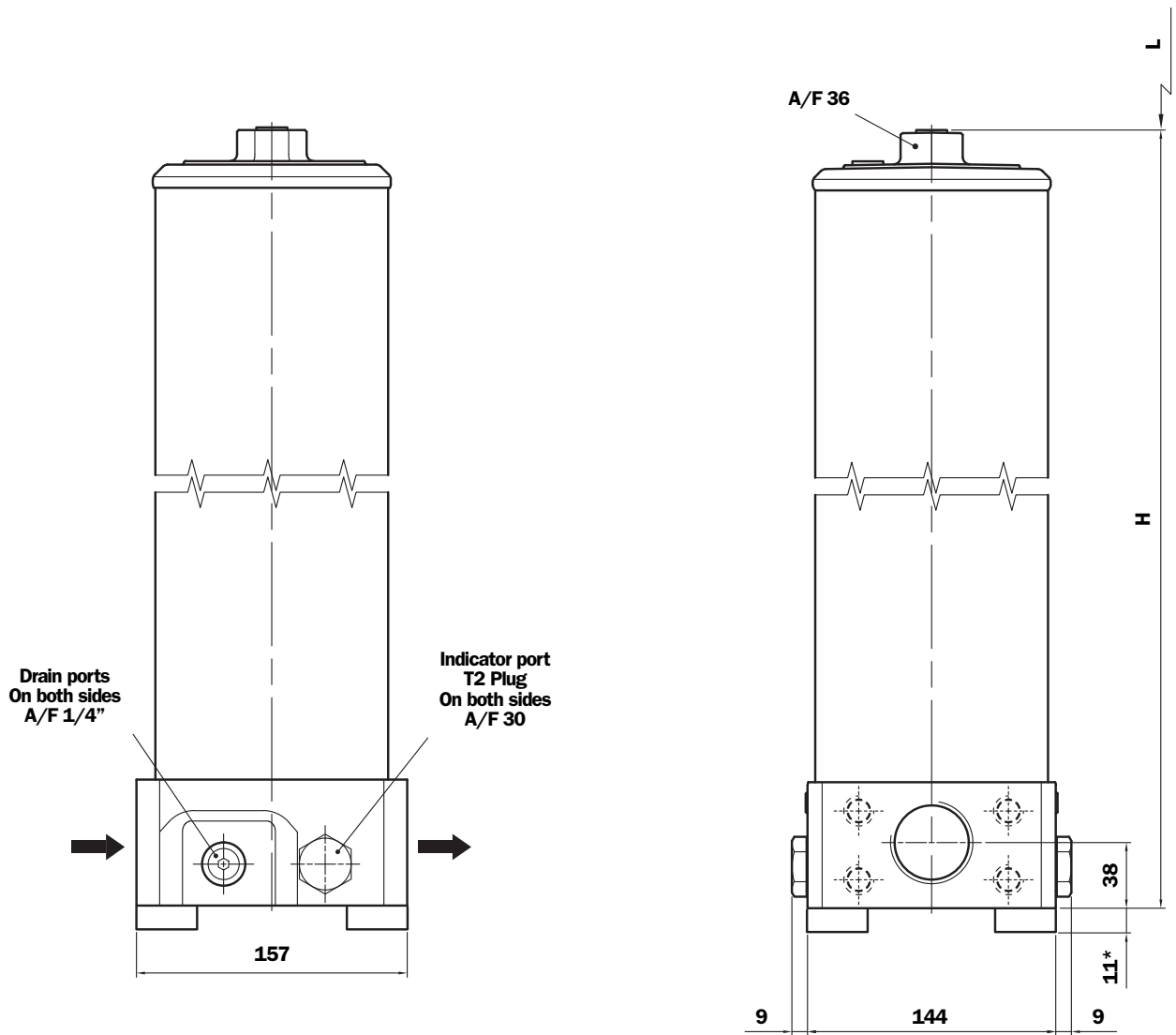
Recommended maximum flow rate

- Pressure drop of filter assembly equal to Δp 1,5 bar.
- Oil kinematic viscosity 30 mm²/s (cSt).
- Density 0,86 kg/dm³.
- Connections of filter under test to Manifold.

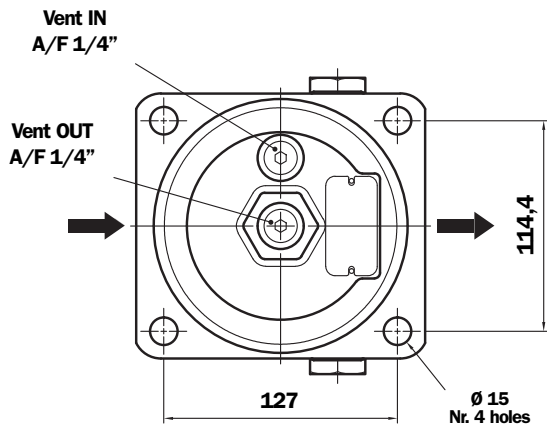
		Filtration						
		Length	A03	A06	A10	A16	A25	M25
FHF 325	1	300	335	348	415	490	495	
	2	395	420	430	450	495	500	
	3	410	440	455	465	500	505	

Serie N - Flow rate l/min

FHF 325 - Threaded and Flanged connection



* Only for flanged connection



FHF 325

Length Filter	H mm	L mm
1	452	250
2	690	485
3	928	725

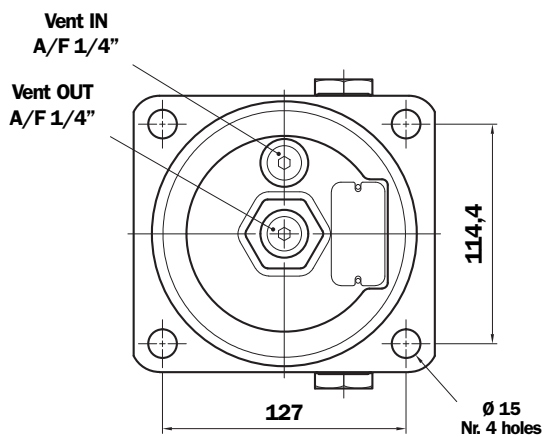
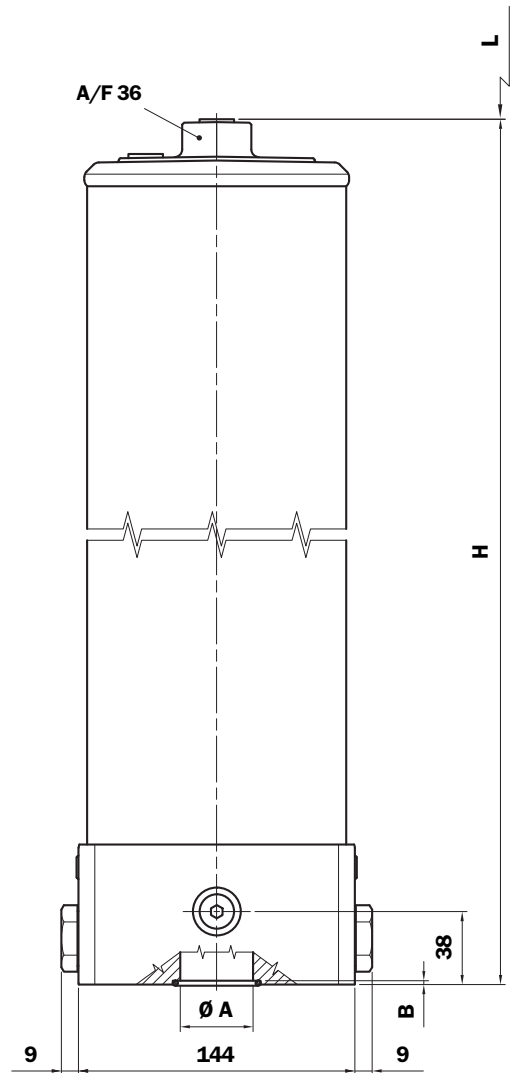
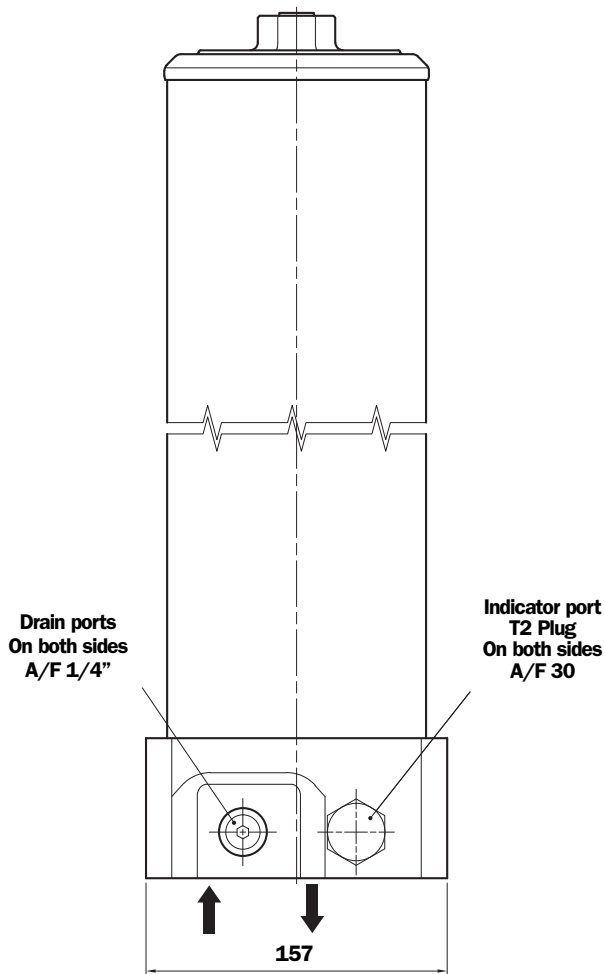
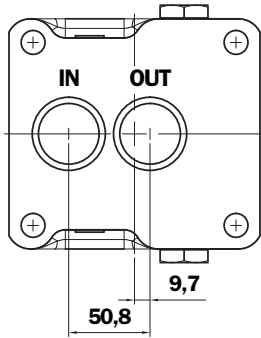
Thread connections

Type	Size
A	G 1 1/2"
B	1 1/2" NPT
C	SAE 24 - 1 7/8" - 12 UN

Flanged connections

Type	Size
G	1 1/2" SAE - 6000 psi/M
H	1 1/2" SAE - 6000 psi/UNC

FHF 325 - Manifold connection

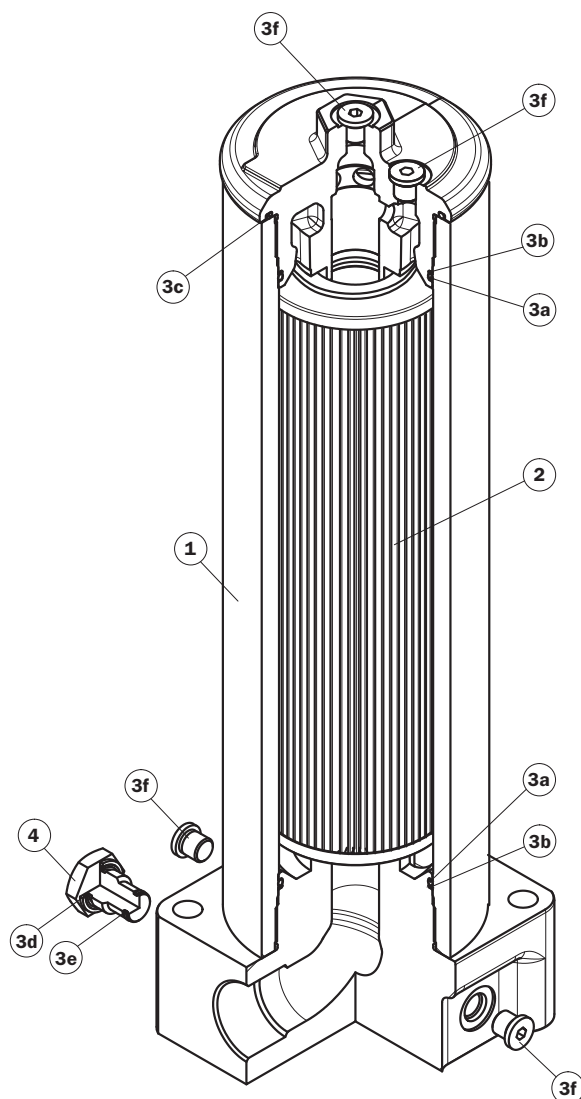


FHF 325

Length Filter	H mm	L mm
1	452	250
2	690	485
3	928	725

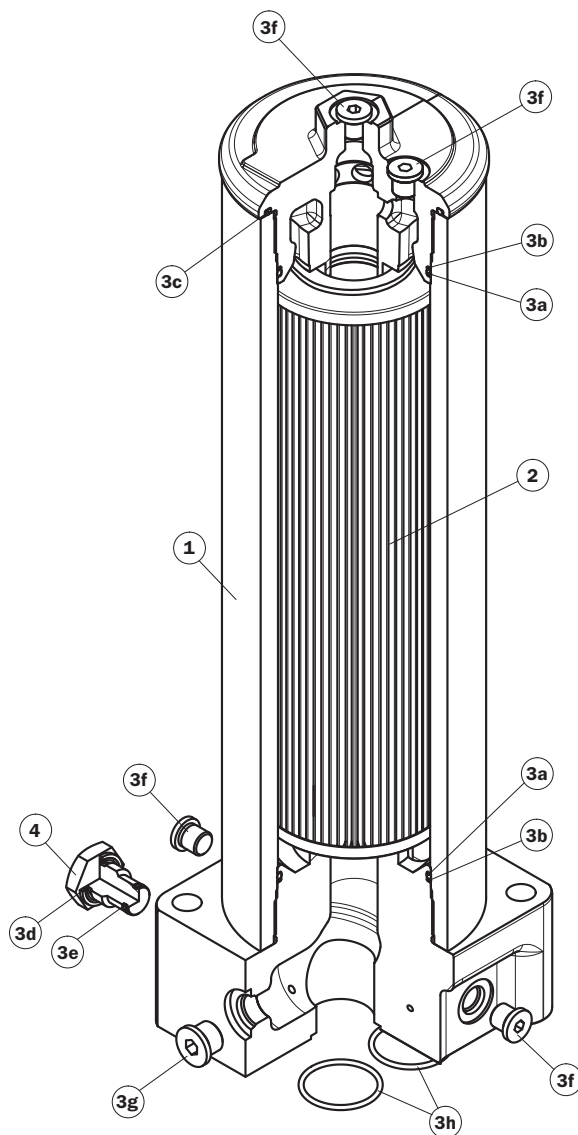
Manifold connections

Type	A	B
M	1,38"	2
N	1,50"	2



Item	Description	Q.ty	FILTER Series FHF 325 A - B - C - G - H	
1	Filter assembly	1	See order table	
2	Filter element	1	See order table	
3	Seal Kit	1	NBR 02050588	FPM 02050589
3a	O-Ring for housing	2	O-R 4412 Ø 104,4 x 3,53	
3b	Anti-extrusion ring	2	O-R SR 243 Ø 104,93 x 3	
3c	O-Ring cover	1	O-R 4475 Ø 120,2 x 3,53	
3d	Indicator seal	2	01030058 (HNBR)	01030046 (FPM)
3e	O-Ring indicator	2	O-R 2050 Ø 12,42 x 1,78	
3f	Vent and drain plug	4	Plug 9/16 18 UNF	
4	Indicator connection plug	2	T2H	T2V

Spare parts



Item	Description	Q.ty	FILTER Series FHF 325 M - N	
1	Filter assembly	1	See order table	
2	Filter element	1	See order table	
3	Seal Kit	1	NBR 02050590	FPM 02050591
3a	O-Ring for housing	2	O-R 4412 Ø 104,4 x 3,53	
3b	Anti-extrusion ring	2	O-R SR 243 Ø 104,93 x 3	
3c	O-Ring cover	1	O-R 4475 Ø 120,2 x 3,53	
3d	Indicator seal	2	01030058 (HNBR)	01030046 (FPM)
3e	O-Ring indicator	2	O-R 2050 Ø 12,42 x 1,78	
3f	Vent and drain plug	4	Plug 9/16 18 UNF	
3g	Plug	2	Plug 3/4 16 UNF	
3h	O-Ring Manifold connection (M)	2	O-Ring 3150 (Ø 37,77 x 2,62)	
	O-Ring Manifold connection (N)		O-Ring 3162 (Ø 40,95 x 2,62)	
4	Indicator connection plug	2	T2H	T2V

Ordering information FHF

Filter assembly FHF

	1	2	3	4	5	6	7	8	9
	<input type="checkbox"/>	<input type="checkbox"/>	<input type="checkbox"/>	<input type="checkbox"/>	<input type="checkbox"/>	<input type="checkbox"/>	<input type="checkbox"/>	<input type="checkbox"/>	<input type="checkbox"/>
Example: FHF	325	2	B	A	A	7	A10	N	P01

Filter element HF

	1	2	7	4	8	9
	<input type="checkbox"/>	<input type="checkbox"/>	<input type="checkbox"/>	<input type="checkbox"/>	<input type="checkbox"/>	<input type="checkbox"/>
Example: HF	325	2	A10	A	N	P01

1 - Style

Filter

325

Filter element

325

2 - Filter length

325

1 **2** **3**

3 - Valves

S Without bypass

B With bypass

4 - Filter seals

A NBR

V FPM

On request

5 - Connections

Threaded

Type	Size
A	G 1 1/2"
B	1 1/2" NPT
C	SAE 24 - 1 7/8" - 12 UN

Flanged

Type	Size
G	1 1/2" SAE - 6000 psi/M
H	1 1/2" SAE - 6000 psi/UNC

Manifold

Type	A	B
M	1,38"	2
N	1,50"	2

6 - Indicator port

7 With both plugged indicator ports

7 - Filter element

<input type="checkbox"/> A03	Inorganic microfibre 3 μ	} Absolute filtration Inorganic Microfibre $\beta_x(c) \geq 1000$
<input type="checkbox"/> A06	Inorganic microfibre 6 μ	
<input type="checkbox"/> A10	Inorganic microfibre 10 μ	
<input type="checkbox"/> A16	Inorganic microfibre 16 μ	
<input type="checkbox"/> A25	Inorganic microfibre 25 μ	
<input type="checkbox"/> M25	Wire mesh 25 μ	} Nominal Filtration Metal mesh

8 - Max filter element differential pressure

N Δp 20 bar

9 - Option

P01 MP Filtri standard

Pxx Customer request

MP Filtri - The filter functions as described in this bulletin are valid exclusively for original MP Filtri filter elements and replacement parts. All rights reserved

The data in this publication are purely guideline. MP Filtri reserves the right to make changes to the models described herein at any time it deems fit in relation to technical or commercial requirements. The colours of the products shown on the cover are purely guideline. Copyright. All rights reserved.