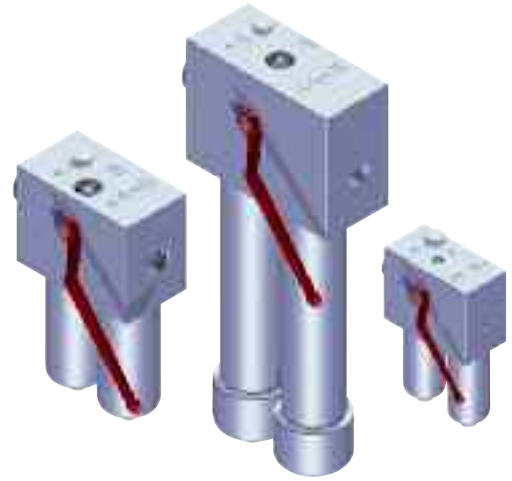


FHD

Maximum pressure 350 bar
Flow rates to 345 l/min



Technical data

Filter housing (Materials)

- Head: Cast iron (chemical heat treatment)
- Housing: Steel (chemical heat treatment)
- Bypass valve: Steel

Pressure

- Working pressure: 350 bar (35 MPa)
- Test pressure: 525 bar (52,5 MPa)
- Burst pressure: 1050 bar (105 MPa)
- Pulse pressure fatigue test: 1.000.000 cycles with pressure from 0 to 350 bar (35 MPa)

Temperature

- From -25 °C to +110 °C

Bypass valve

- Opening pressure 6 bar \pm 10%
- Other opening pressures on request.

Δp Elements type

- Microfibre filter elements series R: 20 bar
- Microfibre filter elements series H: 210 bar (only for FHD 021)
- Microfibre filter elements series S: 210 bar (excluded FHD 021)
- Wire mesh filter elements series N: 20 bar
- Fluid flow through the filter element from OUT to IN

Seals

- Standard NBR series A
- Optional FPM series V

FHD FILTERS ARE PROVIDED FOR VERTICAL MOUNTING

Weights (kg)

Length	1	2	3	4	5
• FHD021	-	6.66	7.15	-	-
• FHD051	13.41	13.78	14.19	14.66	-
• FHD326	36.35	39.48	10.77	-	-
• FHD333	-	64.48	66.77	69.25	-

Volumes (dm³)

Length	1	2	3	4	5
• FHD021	-	0.06	0.12	-	-
• FHD051	0.22	0.31	0.41	0.53	-
• FHD326	0.88	1.60	2.37	-	-
• FHD333	-	1.75	2.52	3.35	-

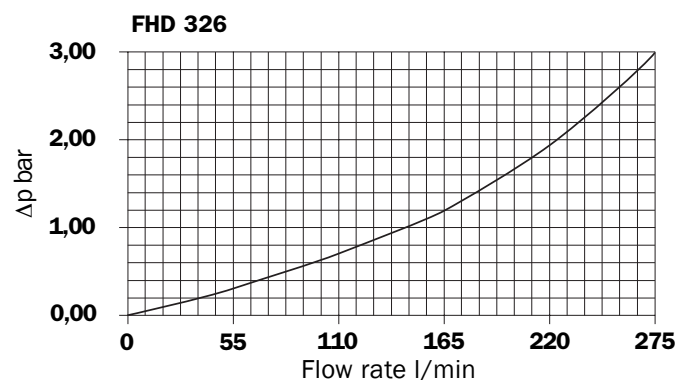
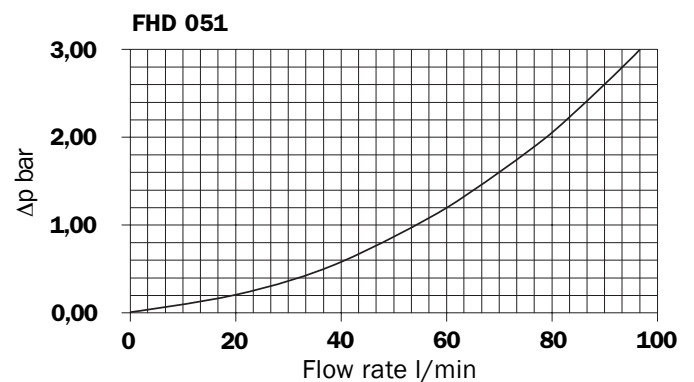
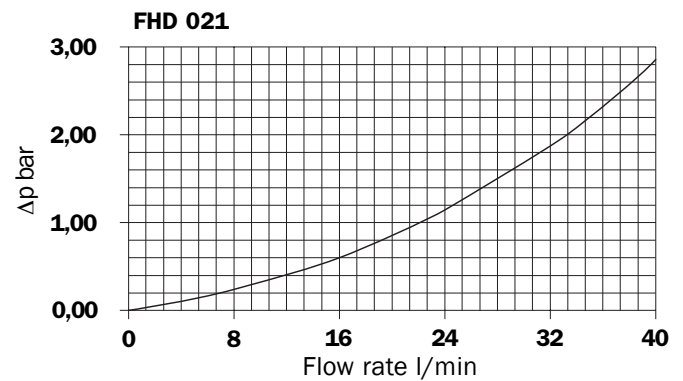
Connections

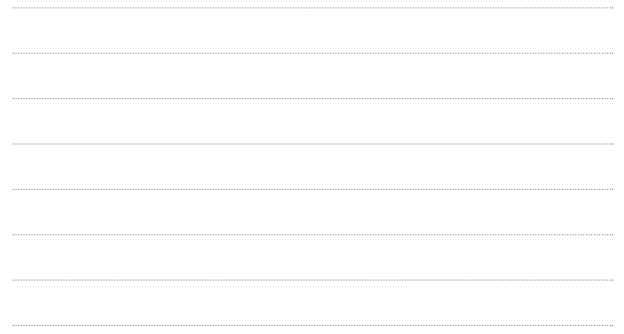
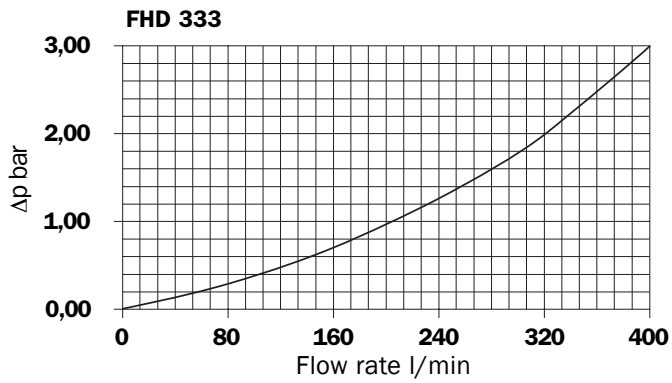
- FHD: In-line Inlet/Outlet 90°

Filter housings Δp pressure drop

The curves are plotted utilising mineral oil with density of 0.86 kg/dm³ to ISO 3968.

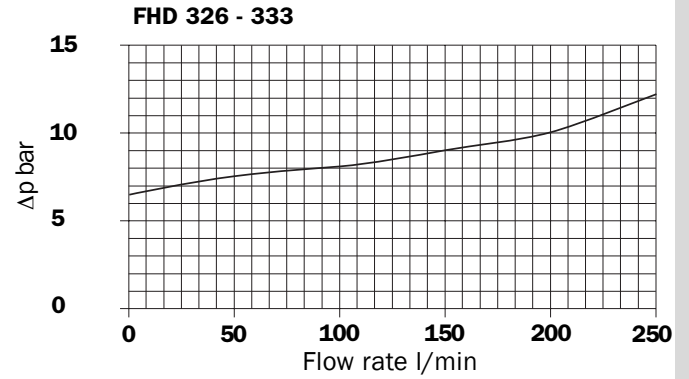
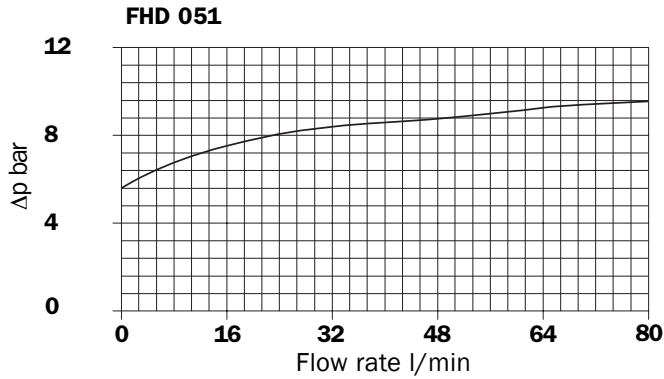
Δp varies proportionally with density.





Valves

Bypass valve pressure drop



Recommended maximum flow rate

- Pressure drop of filter assembly equal to Δp 2,5 bar.
- Oil kinematic viscosity 30 mm²/s (cSt).
- Density 0,86 kg/dm³.

Filtration

	Length	A03	A06	A10	A16	A25	M25
FHD 021	2	10	12	21	23	27	30
	3	17	20	27	19	32	35
Serie H - Flow rate l/min							Serie N

Filtration

	Length	A03	A06	A10	A16	A25	M25
FHD 051	2	56	59	70	74	80	84
	3	63	65	74	76	81	85
	4	70	72	78	79	82	86
	5	76	77	81	82	84	87
Serie R - Flow rate l/min							

Filtration

	Length	A03	A06	A10	A16	A25
FHD 051	2	52	55	67	71	78
	3	60	61	72	74	80
	4	67	69	76	77	81
	5	73	74	78	80	83
Serie S - Flow rate l/min						

Filtration

	Length	A03	A06	A10	A16	A25	M25
FHD 326	1	141	149	188	201	215	234
	2	194	200	224	228	233	236
	3	212	220	233	236	238	239
Serie R - Flow rate l/min							

Filtration

	Length	A03	A06	A10	A16	A25
FHD 326	1	128	133	172	175	206
	2	175	185	210	211	225
	3	197	208	223	224	232
Serie S - Flow rate l/min						

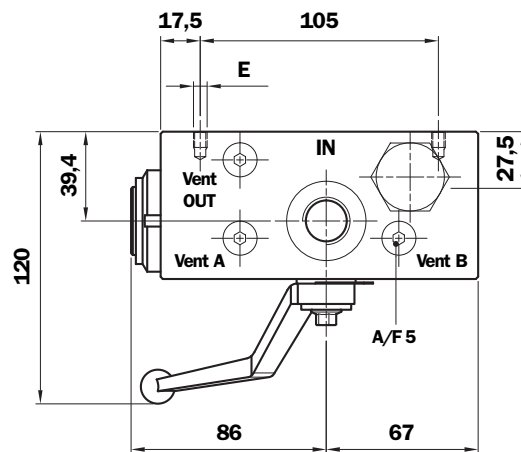
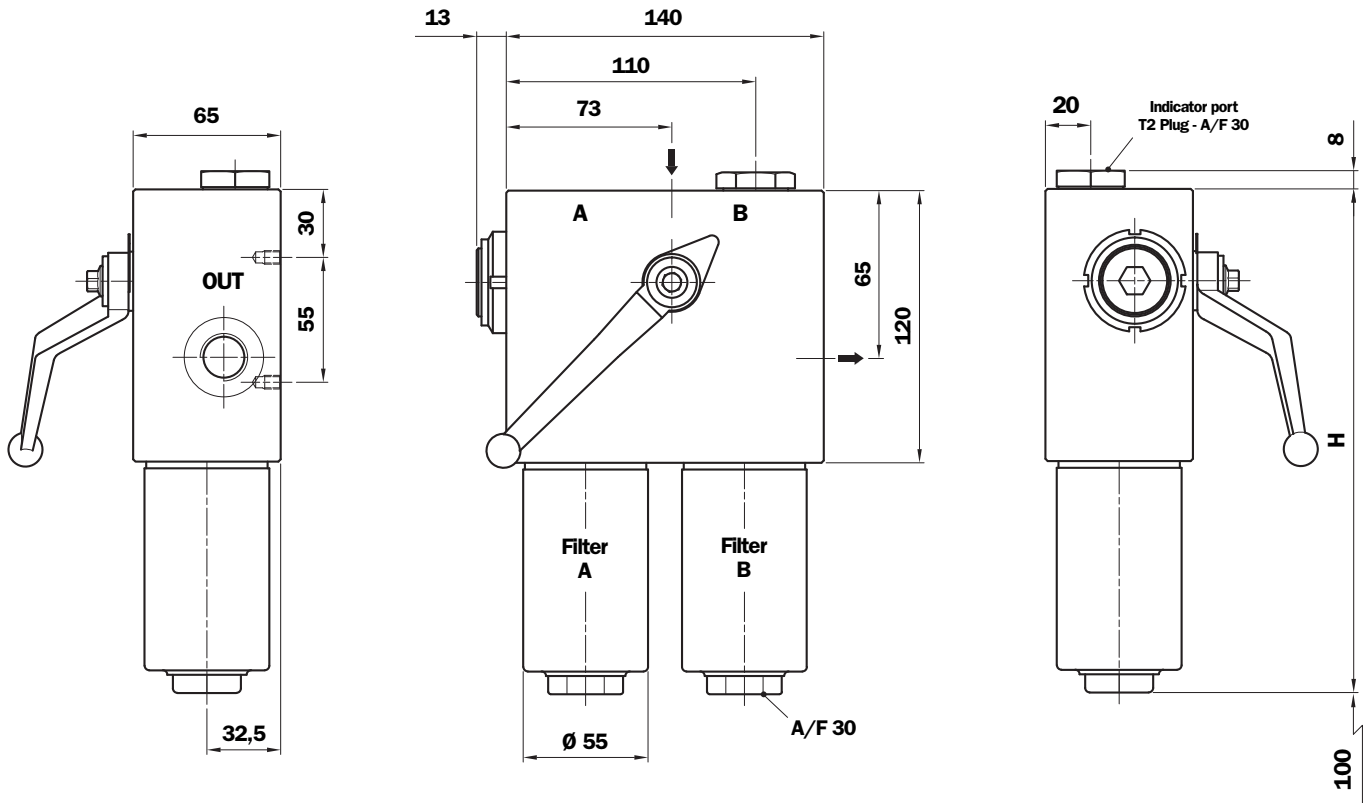
Filtration

	Length	A03	A06	A10	A16	A25	M25
FHD 333	2	254	265	311	318	332	338
	3	288	302	329	333	336	340
	4	302	311	331	336	342	345
Serie R - Flow rate l/min							

Filtration

	Length	A03	A06	A10	A16	A25
FHD 333	2	220	238	282	285	312
	3	260	280	307	311	325
	4	279	289	310	312	327
Serie S - Flow rate l/min						

FHD 021



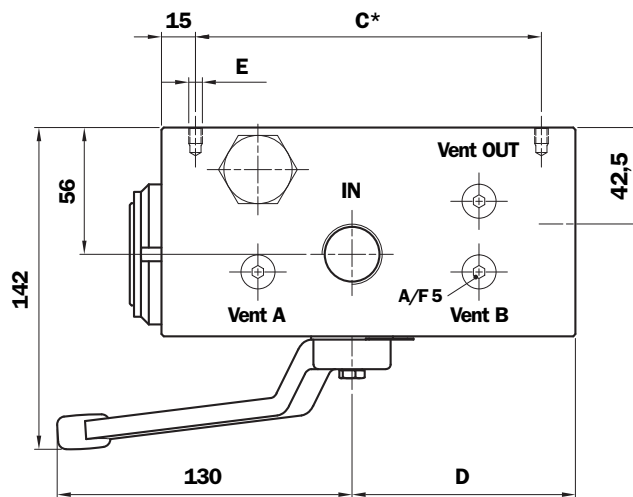
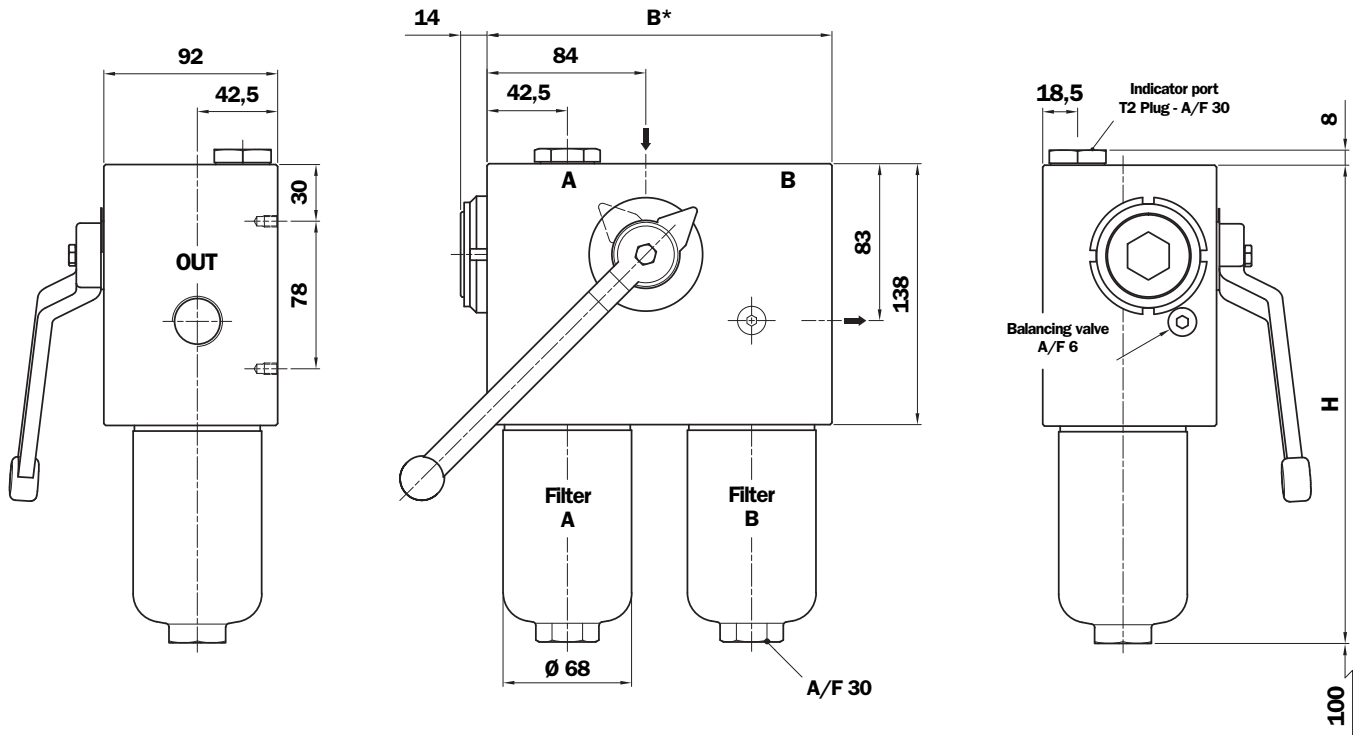
FHD 021

Length Filter	H mm
2	172
3	222
4	272

Thread connections

Type	Size	E Depth 7 mm
G1	G 1/2"	M6
G2	1/2" NPT	1/4" UNC
G3	SAE 8 - 3/4" - 16 UNF	1/4" UNC

FHD 051



FHD 051

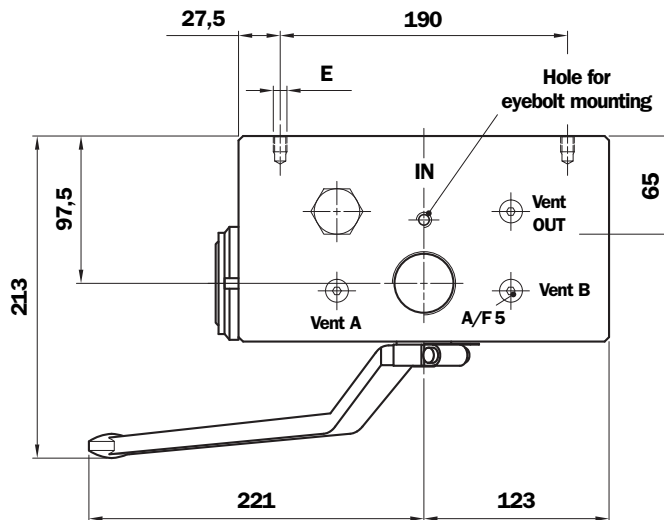
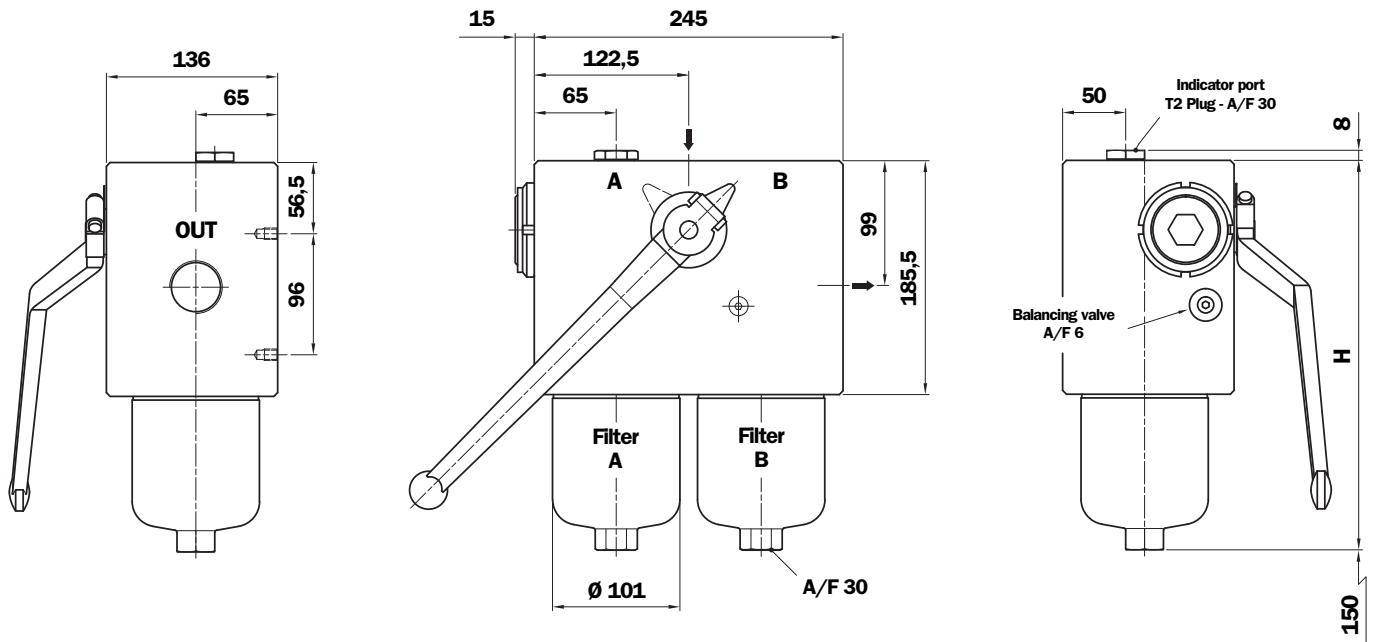
Length Filter	H mm
2	253
3	295
4	343
5	465

	B	C	D
With bypass	182,5	152,5	98,5
Without bypass	168	138	84

Thread connections

Type	Size	E Depth 7 mm
G1	G 3/4"	M6
G2	3/4" NPT	1/4" UNC
G3	G 1/2"	M6
G4	1/2" NPT	1/4" UNC
G5	SAE 8-3/4" -16 UNF	1/4" UNC
G6	SAE 12-1 1/16" -12 UN	1/4" UNC

FHD 326



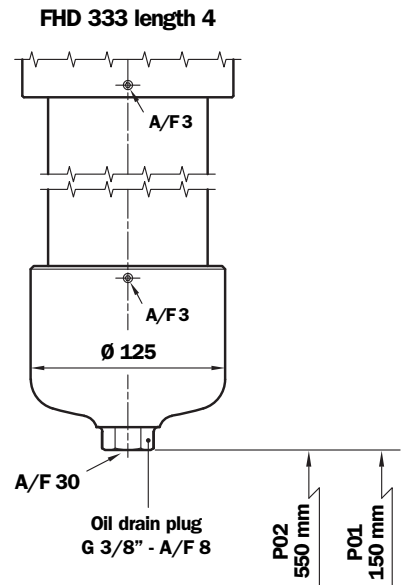
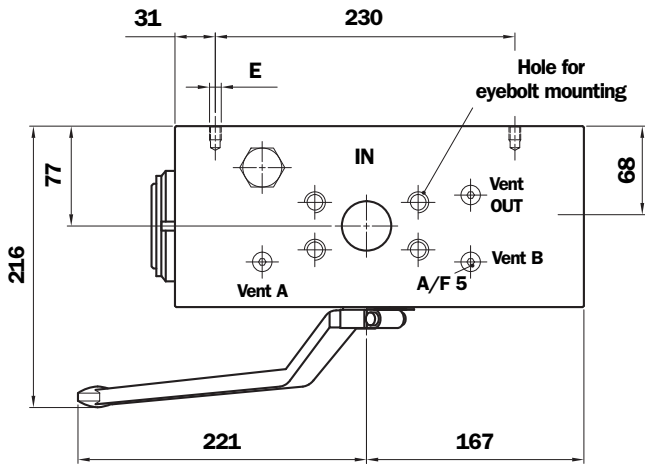
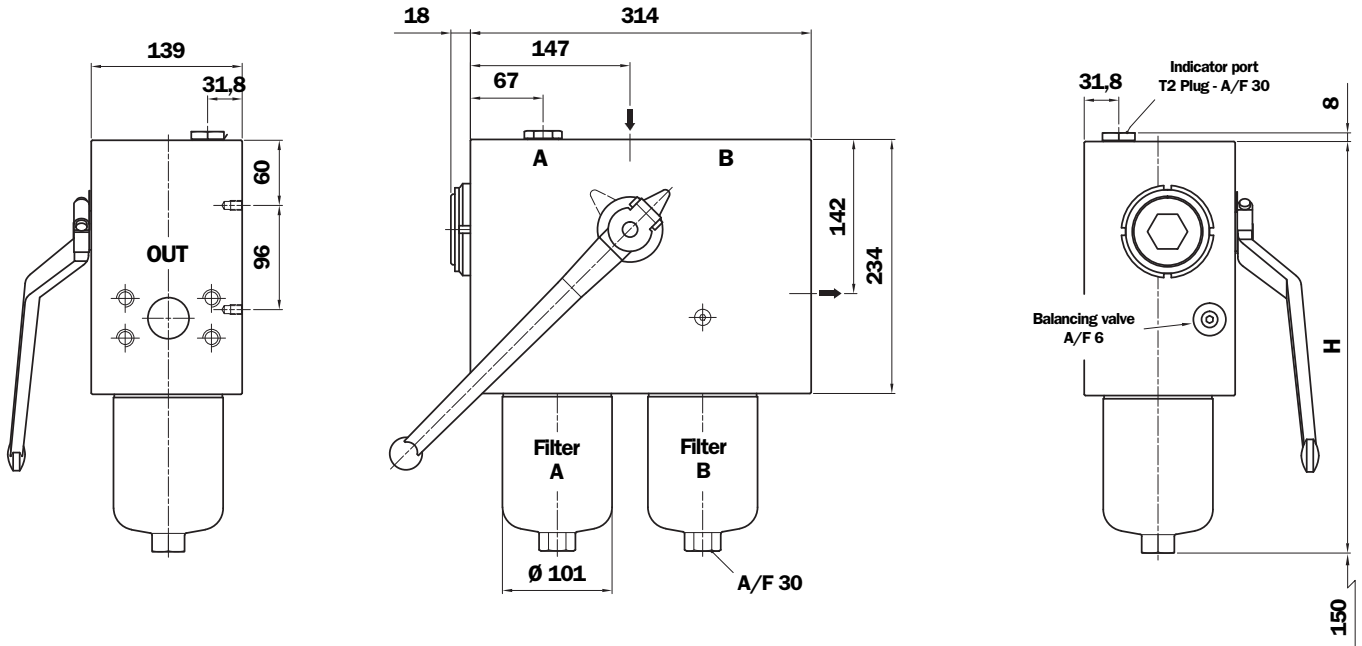
FHD 326

Length Filter	H mm
1	309
2	432
3	564

Thread connections

Type	Size	E Depth 11 mm
G1	G 1 1/4"	M10
G2	1 1/4" NPT	3/8" UNC
G3	SAE 20 - 15/8" - 12 UN	3/8" UNC

FHD 333



Style P01
Standard maintenance from head.

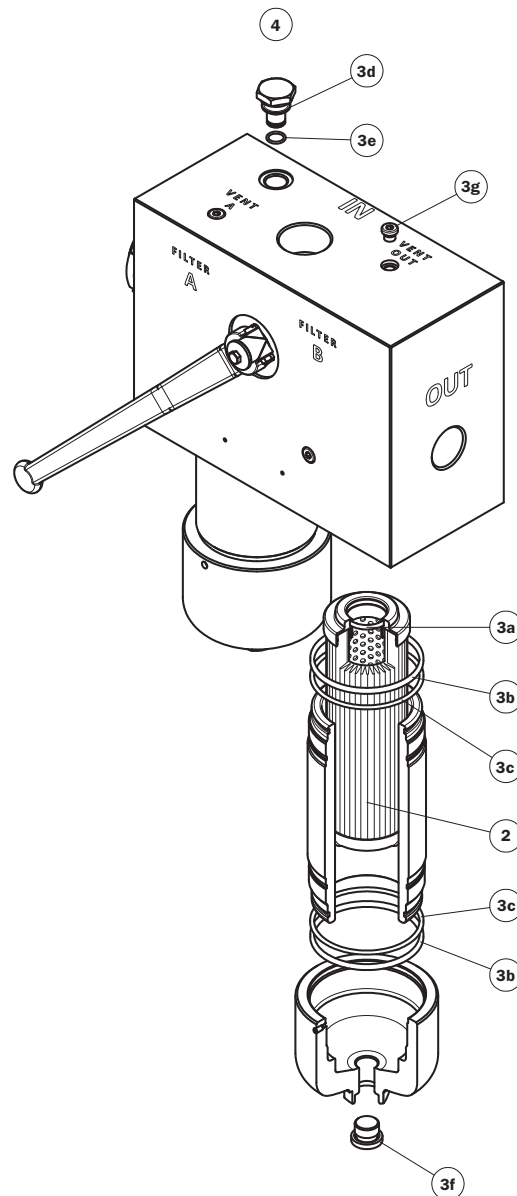
Style P02
Maintenance option from housing base.

FHD 333

Length Filter	H mm
2	479
3	612
4	765

Flanged connections

Type	Size	E Depth 11 mm
F1	1 1/2" 6000 psi/M	M10
F2	1 1/2" 6000 psi/UNC	3/8" UNC



Item	Description	Q.ty	FILTER Series							
			FHD 021		FHD 051		FHD 326		FHD 333	
1	Filter assembly	1	See order table							
2	Filter element	1	See order table							
3	Seal Kit	1	NBR 02050511	FPM 02050512	NBR 02050420	FPM 02050421	NBR 02050377	FPM 02050378	NBR 02050420	FPM 02050421
3a	Filter element seal	2	O-R 121 Ø 15,88 x 2,62		O-R 3093 Ø 23,67 x 2,62		O-R 144 Ø 39,69 x 2,62		O-R 3093 Ø 23,67 x 2,62	
3b	Bowl seal	2	O-R 3168 Ø 42,52 x 2,62		O-R 3225 Ø 56,82 x 2,62		4 pcs	O-R 3350 Ø 88,57 x 2,62	4 pcs	O-R 3350 Ø 88,57 x 2,62
3c	Bowl anti-extrusion ring	2	Parbak 131 Ø 43,33 x 2,18		Parbak 139 Ø 56,03 x 2,18		4 pcs	Parbak 153 Ø 89,36 x 2,18	4 pcs	Parbak 153 Ø 89,36 x 2,18
3d	Gasket	1	01030058 (HNBR)	01030046 (FPM)	01030058 (HNBR)	01030046 (FPM)	01030058 (HNBR)	01030046 (FPM)	01030058 (HNBR)	01030046 (FPM)
3e	O-Ring indicator	1	O-R 2050 Ø 12,42 x 1,78		O-R 2050 Ø 12,42 x 1,78		O-R 2050 Ø 12,42 x 1,78		O-R 2050 Ø 12,42 x 1,78	
3f	Drain plug	2	G 1/8" with bonded seal		G 1/4" with bonded seal		G 3/8" with bonded seal		G 3/8" with bonded seal	
3g	Air vent	3	01029124 (HNBR)	01029094 (FPM)	01029124 (HNBR)	01029094 (FPM)	01029124 (HNBR)	01029094 (FPM)	01029124 (HNBR)	01029094 (FPM)
4	Indicator connection plug	1	T2H	T2V	T2H	T2V	T2H	T2V	T2H	T2V

Ordering information FHD 021-051

Filter assembly FHD

	1	2	3	4	5	6	7	8a
	<input type="checkbox"/>	<input type="checkbox"/>	<input type="checkbox"/>	<input type="checkbox"/>	<input type="checkbox"/>	<input type="checkbox"/>	<input type="checkbox"/>	<input type="checkbox"/>
Example: FHD	051	4	S	A	G1	A10	S	P01

Filter element HP

	1	2	6	4	7	8b
	<input type="checkbox"/>	<input type="checkbox"/>	<input type="checkbox"/>	<input type="checkbox"/>	<input type="checkbox"/>	<input type="checkbox"/>
Example: HP	050	4	A10	A	S	P01

1 - Style

Filter	Filter element
<input type="checkbox"/> 021	<input type="checkbox"/> 011
<input type="checkbox"/> 051	<input type="checkbox"/> 050

2 - Filter length

<input type="checkbox"/> 021	<input type="checkbox"/> 2	<input type="checkbox"/> 3	<input type="checkbox"/> 4
<input type="checkbox"/> 051	<input type="checkbox"/> 2	<input type="checkbox"/> 3	<input type="checkbox"/> 4 <input type="checkbox"/> 5

3 - Valves

<input type="checkbox"/> S	Without bypass
<input type="checkbox"/> B	With bypass (only for FHD 051)

4 - Filter seals

<input type="checkbox"/> A	NBR
<input type="checkbox"/> V	FPM
<input type="checkbox"/>	On request

5 - Connections

Threaded

FHD 021

Type	Size
G1	G 1/2"
G2	1/2" NPT
G3	SAE 8 - 3/4" - 16 UNF

FHD 051

Type	Size
G1	G 3/4"
G2	3/4" NPT
G3	G 1/2"
G4	1/2" NPT
G5	SAE 8 - 3/4" - 16 UNF
G6	SAE 12 - 1 1/16" - 12 UN

6 - Filter element

<input type="checkbox"/> A03	Inorganic microfibre 3 μ	} Absolute filtration Inorganic Microfibre $\beta_x(c) \geq 1000$
<input type="checkbox"/> A06	Inorganic microfibre 6 μ	
<input type="checkbox"/> A10	Inorganic microfibre 10 μ	
<input type="checkbox"/> A16	Inorganic microfibre 16 μ	
<input type="checkbox"/> A25	Inorganic microfibre 25 μ	
<input type="checkbox"/> M25	Wire mesh 25 μ	} Nominal Filtration Metal mesh

7 - Max filter element differential pressure

<input type="checkbox"/> N	Δp 20 bar (only for element M25)
<input type="checkbox"/> R	Δp 20 bar (excluded FHD 021)
<input type="checkbox"/> H	Δp 210 bar (only for FHD 021)
<input type="checkbox"/> S	Δp 210 bar (excluded FHD 021)

8 - Option

a - Filter

<input type="checkbox"/> P01	MP Filtri standard
<input type="checkbox"/> P02	MP with replacement of the filter element from the cap (only for length 4)
<input type="checkbox"/> Pxx	Customer request

b - Filter element

<input type="checkbox"/> P01	MP Filtri standard
<input type="checkbox"/> Pxx	Customer request

MP Filtri - The filter functions as described in this bulletin are valid exclusively for original MP Filtri filter elements and replacement parts. All rights reserved

The data in this publication are purely guideline. MP Filtri reserves the right to make changes to the models described herein at any time it deems fit in relation to technical or commercial requirements. The colours of the products shown on the cover are purely guideline. Copyright. All rights reserved.

Ordering information FHD 326-333

Filter assembly FHD

	1	2	3	4	5	6	7	8a
	<input type="checkbox"/>	<input type="checkbox"/>	<input type="checkbox"/>	<input type="checkbox"/>	<input type="checkbox"/>	<input type="checkbox"/>	<input type="checkbox"/>	<input type="checkbox"/>
Example: FHD	333	4	S	A	G1	A10	S	P01

Filter element HP

	1	2	6	4	7	8b
	<input type="checkbox"/>	<input type="checkbox"/>	<input type="checkbox"/>	<input type="checkbox"/>	<input type="checkbox"/>	<input type="checkbox"/>
Example: HP	320	4	A10	A	S	P01

1 - Style

Filter	Filter element
<input type="checkbox"/> 326	<input type="checkbox"/> 320
<input type="checkbox"/> 333	<input type="checkbox"/> 320

2 - Filter length

<input type="checkbox"/> 326	<input type="checkbox"/> 1	<input type="checkbox"/> 2	<input type="checkbox"/> 3
<input type="checkbox"/> 333	<input type="checkbox"/> 2	<input type="checkbox"/> 3	<input type="checkbox"/> 4

3 - Valves

<input type="checkbox"/> S	Without bypass
<input type="checkbox"/> B	With bypass

4 - Filter seals

<input type="checkbox"/> A	NBR
<input type="checkbox"/> V	FPM
<input type="checkbox"/>	On request

5 - Connections

Threaded

FHD 326

Type	Size
G1	G 1 1/4"
G2	1 1/4" NPT
G3	SAE 20 - 1 5/8" - 12 UN

Flanged

FHD 333

Type	Size
F1	1 1/2" 6000 psi/M
F2	1 1/2" 6000 psi/UNC

6 - Filter element

<input type="checkbox"/> A03	Inorganic microfibre 3 μ	} Absolute filtration Inorganic Microfibre $\beta_x(c) \geq 1000$
<input type="checkbox"/> A06	Inorganic microfibre 6 μ	
<input type="checkbox"/> A10	Inorganic microfibre 10 μ	
<input type="checkbox"/> A16	Inorganic microfibre 16 μ	
<input type="checkbox"/> A25	Inorganic microfibre 25 μ	
<input type="checkbox"/> M25	Wire mesh 25 μ	} Nominal Filtration Metal mesh

7 - Max filter element differential pressure

<input type="checkbox"/> N	Δp 20 bar (only for element M25)
<input type="checkbox"/> R	Δp 20 bar
<input type="checkbox"/> S	Δp 210 bar

8 - Option

a - Filter

<input type="checkbox"/> P01	MP Filtri standard
<input type="checkbox"/> P02	MP with replacement of the filter element from the cap (only for length 4)
<input type="checkbox"/> Pxx	Customer request

b - Filter element

<input type="checkbox"/> P01	MP Filtri standard
<input type="checkbox"/> Pxx	Customer request

MP Filtri - The filter functions as described in this bulletin are valid exclusively for original MP Filtri filter elements and replacement parts. All rights reserved

The data in this publication are purely guideline. MP Filtri reserves the right to make changes to the models described herein at any time it deems fit in relation to technical or commercial requirements. The colours of the products shown on the cover are purely guideline. Copyright. All rights reserved.