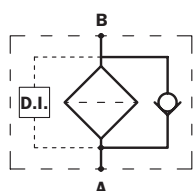
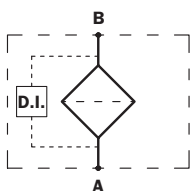


# LMP 210



Style S

Style B



**Maximum pressure 60 bar**  
**Flow rates to 270 l/min**

## Filter housing (Materials)

- Head: Aluminium
- Housing: Anodised Aluminium
- Bypass valve: Nylon - Steel

## Pressure

- Working pressure: 60 bar (6 MPa)
- Test pressure: 90 bar (9 MPa)
- Burst pressure: 180 bar (18 MPa)
- Pulsed pressure fatigue test: 1.000.000 cycles with pressure from 0 to 60 bar (6 MPa)

## Temperature

- From -25 °C to +110 °C

## Bypass valve

- Opening pressure 3.5 bar  $\pm$ 10%
- Other opening pressures on request.

## $\Delta p$ Elements type

- Series N and W elements: 20 bar
- Oil flow from exterior to interior.

## Seals

- Standard NBR series A
- Optional FPM series V

## Weights (kg)

### Length

- LMP210 -1 3.5
- LMP210 -2 4.4
- LMP210 -3 5.4

## Volumes (dm<sup>3</sup>)

### Length

- LMP210 -1 1.5
- LMP210 -2 2
- LMP210 -3 2.7

## Connections

In-Line Inlet-Outlet LMP 210

## Compatibility (to ISO 2943)

- Housings compatible with:  
Mineral oils, synthetic fluids.  
Aqueous emulsions, water and glycol (series W required).
- The filter elements are compatible with:  
Mineral oils, synthetic fluids.  
Aqueous emulsions, water and glycol (series W required).
- NBR seals series A, compatible with:  
Mineral oils, synthetic fluids, aqueous emulsions and water and glycol.
- FPM seals series V, compatible with:  
Synthetic fluids type HS-HFDR-HFDS-HFDU

## Filter Element Area

Filter element in stainless steel mesh

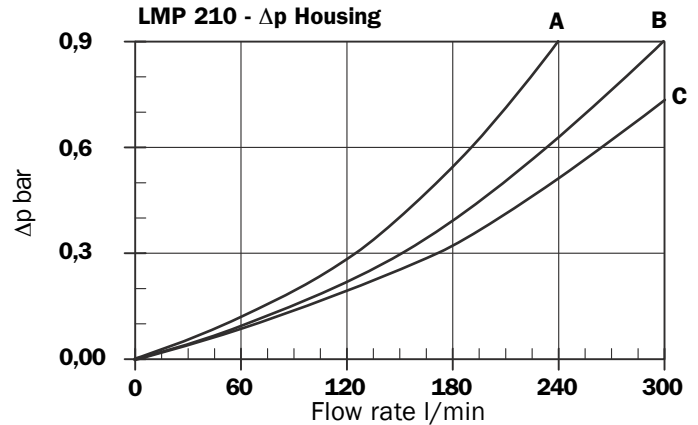
### Length

Type	1	2	3
<b>CU 210</b>	3100	4950	7520
Values expressed in <b>cm<sup>2</sup></b>			

## Filter housing $\Delta p$ pressure drop

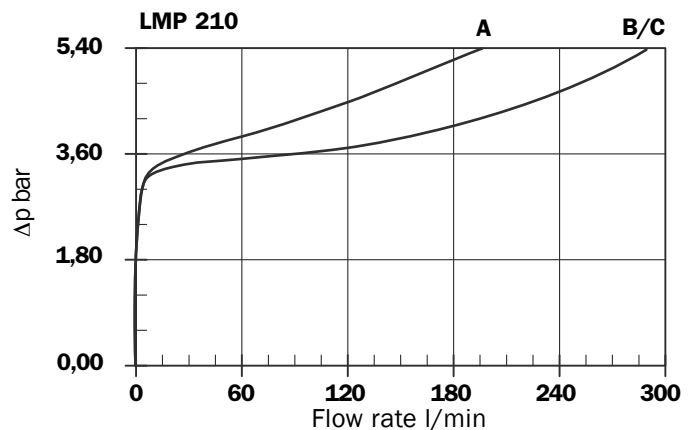
The curves are plotted utilising mineral oil with density of 0.86 kg/dm<sup>3</sup> to ISO 3968.

$\Delta p$  varies proportionally with density.



## Valves

### Bypass valve pressure drop



Connection referring to graphic pressure drop

Type	Connection (dimension page 38)
<b>A</b>	G1 - G4 - G7 - F1 - F4
<b>B</b>	G2 - G5 - G8 - F2 - F5
<b>C</b>	G3 - G6 - G9 - F3 - F6

## Recommended maximum flow rate

- Pressure drop of filter assembly equal to  $\Delta p$  0.6 bar.
- Oil kinematic viscosity 30 mm<sup>2</sup>/s (cSt).
- Density 0.86 kg/dm<sup>3</sup>.
- Connections of filter under test G 3".

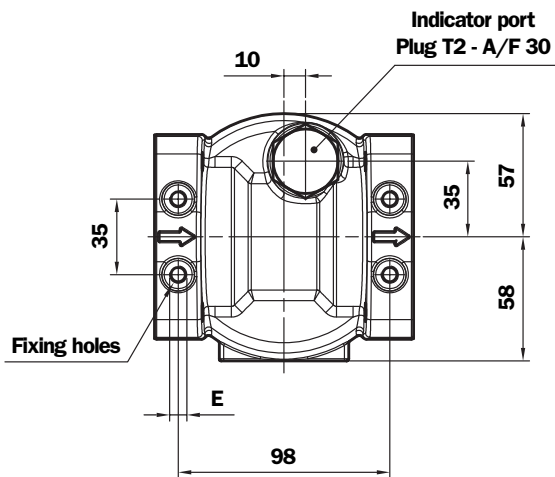
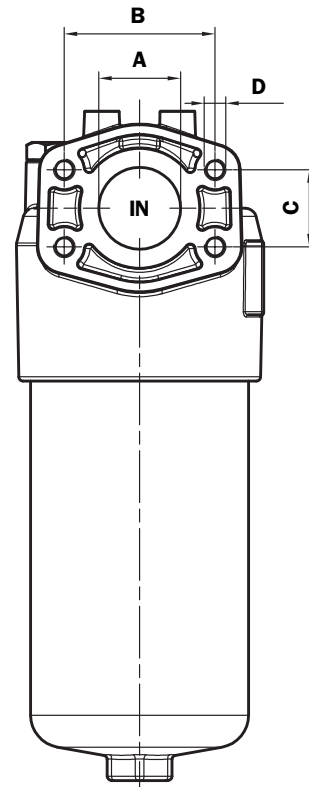
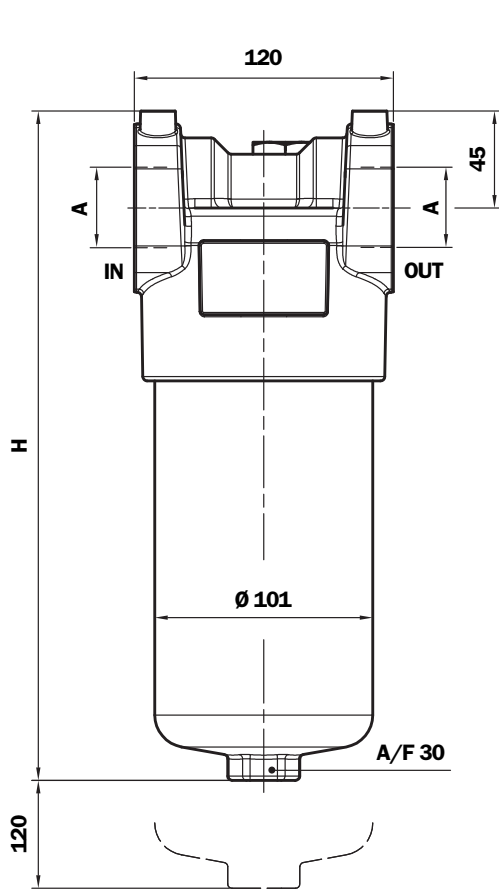
## Filtration

Leng.	A03	A06	A10	A16	A25	P10	P25	M25	
<b>LMP 210</b>	1	98	120	175	185	208	245	250	265
	2	140	162	205	225	235	250	255	270
	3	190	200	235	245	250	260	268	270

Flow rate l/min

# Dimensions

## LMP 210



### LMP 210

Length Filter	H mm
1	360
2	492
3	630

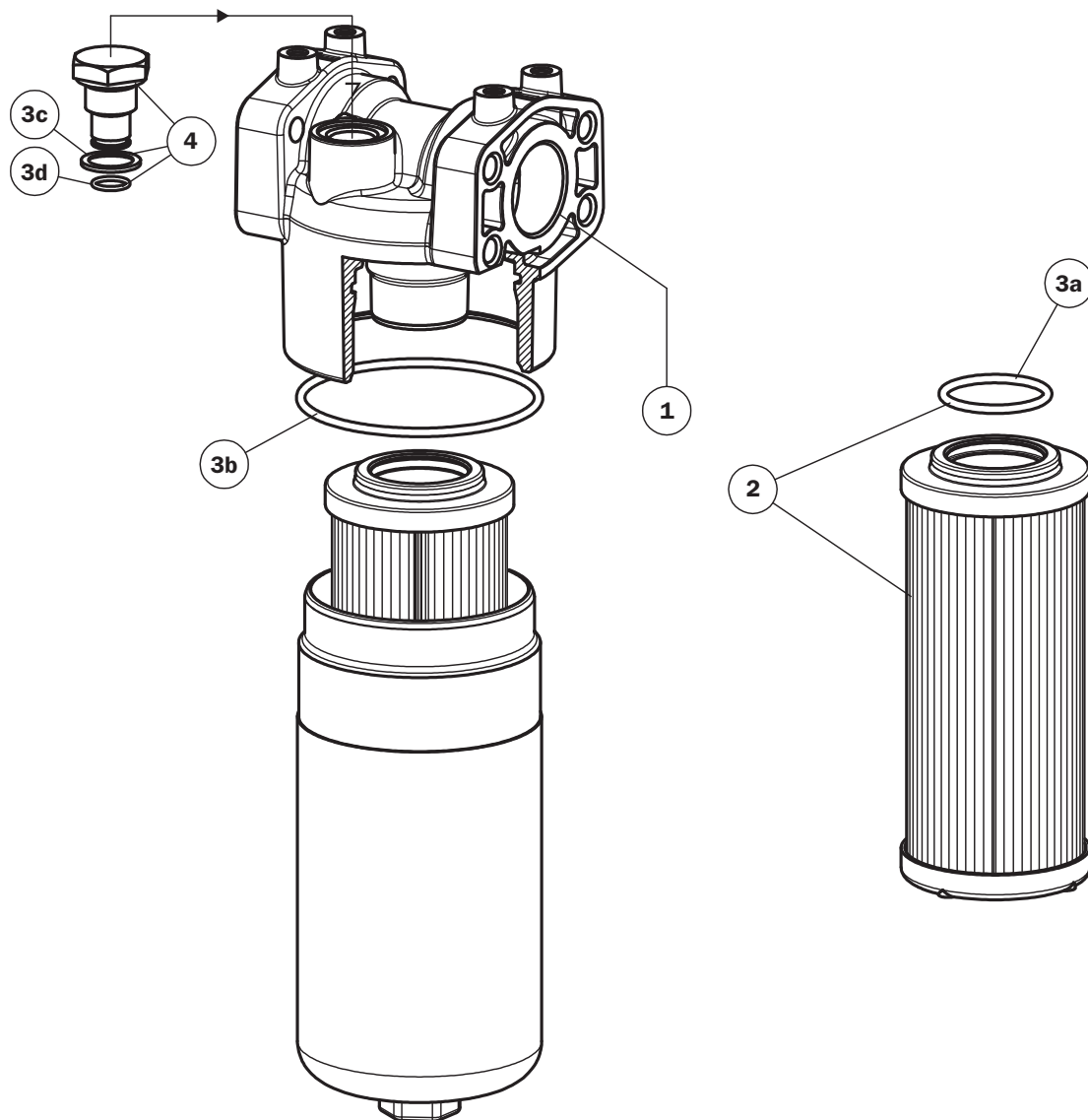
### Flanged connections

St.	A	B	C	D	E Depth 12 mm
F1	1" SAE - 3000 psi/M	52,4	26,2	M10	M8
F2	1 1/4" SAE - 3000 psi/M	58,7	30,2	M10	M8
F3	1 1/2" SAE - 3000 psi/M	70	35,7	M12	M8
F4	1" SAE - 3000 psi/UNC	52,4	26,2	3/8" UNC	5/16" UNC
F5	1 1/4" SAE - 3000 psi/UNC	58,7	30,2	7/16" UNC	5/16" UNC
F6	1 1/2" SAE - 3000 psi/UNC	70	35,7	1/2" UNC	5/16" UNC

### Thread connections

St.	A	E Depth 12 mm
G1	G 1"	M8
G2	G 1 1/4"	M8
G3	G 1 1/2"	M8
G4	1" NPT	5/16" UNC
G5	1 1/4" NPT	5/16" UNC
G6	1 1/2" NPT	5/16" UNC
G7	SAE 16 - 1 1/16" - 12 UN	5/16" UNC
G8	SAE 20 - 1 5/8" - 12 UN	5/16" UNC
G9	SAE 24 - 1 7/8" - 12 UN	5/16" UNC

# Spare parts



Item	Description	Q.ty	FILTER Series LMP 210	
1	Filter assembly	1	See order table	
2	Filter element	1	See order table	
3	Seals kit	1	NBR 02050435	FPM 02050436
3a	O-Ring filter element	1	O-R 144 Ø 39,69 x 3,53	
3b	O-Ring housing	1	O-R 4375 Ø 94,84 x 3,53	
3c	Seal for indicator	1	01030058	01030046
3d	O-Ring for indicator	2	O-R 2050 Ø 12,42 x 1,78	
4	Indicator connection plug	1	T2H	T2V
-	Indicators	1	See order table	

# Ordering information LMP 210

## Filter assembly LMP210

	<b>2</b>	<b>3</b>	<b>4</b>	<b>5</b>	<b>6</b>	<b>7</b>	<b>8</b>
	<input type="checkbox"/>	<input type="checkbox"/>	<input type="checkbox"/>	<input type="checkbox"/>	<input type="checkbox"/>	<input type="checkbox"/>	<input type="checkbox"/>
Example: LMP210	<b>2</b>	<b>B</b>	<b>A</b>	<b>G3</b>	<b>A10</b>	<b>N</b>	<b>P01</b>

## Filter element CU210

	<b>2</b>	<b>6</b>	<b>4</b>	<b>7</b>	<b>8</b>
	<input type="checkbox"/>	<input type="checkbox"/>	<input type="checkbox"/>	<input type="checkbox"/>	<input type="checkbox"/>
Example: CU210	<b>2</b>	<b>A10</b>	<b>A</b>	<b>N</b>	<b>P01</b>

### 1 - Style

<b>Filter</b>	<b>Filter element</b>
<b>210</b>	<b>210</b>

### 2 - Filter length

<b>1</b>
<b>2</b>
<b>3</b>

### 3 - Valve

<b>S</b>	Without by-pass
<b>B</b>	With bypass
<input type="checkbox"/>	With by-pass Opening pressure: on request

### 4 - Filter seals

<b>A</b>	NBR
<b>V</b>	FPM
<b>W</b>	NBR (Compatible with fluid HFA, HFB, HFC)
<input type="checkbox"/>	On request

### 5 - Connections

#### Threaded

Type	LMP 210
<b>G1</b>	<b>G 1"</b>
<b>G2</b>	<b>G 1 1/4"</b>
<b>G3</b>	<b>G 1 1/2"</b>
<b>G4</b>	<b>1" NPT</b>
<b>G5</b>	<b>1 1/4" NPT</b>
<b>G6</b>	<b>1 1/2" NPT</b>
<b>G7</b>	<b>SAE 16 - 1 5/16" - 12 UN</b>
<b>G8</b>	<b>SAE 20 - 1 5/8" - 12 UN</b>
<b>G9</b>	<b>SAE 24 - 1 7/8" - 12 UN</b>

#### Flanged

Type	LMP 210
<b>F1</b>	<b>1" SAE 3000 psi/M</b>
<b>F2</b>	<b>1 1/4" SAE 3000 psi/M</b>
<b>F3</b>	<b>1 1/2" SAE 3000 psi/M</b>
<b>F4</b>	<b>1" SAE 3000 psi/UNC</b>
<b>F5</b>	<b>1 1/4" SAE 3000 psi/UNC</b>
<b>F6</b>	<b>1 1/2" SAE 3000 psi/UNC</b>

### 6 - Filter element

<b>A01</b>	Inorganic microfibre* 1 µ	} Absolute filtration βx (c) ≥ 1000
<b>A03</b>	Inorganic microfibre 3 µ	
<b>A06</b>	Inorganic microfibre 6 µ	
<b>A10</b>	Inorganic microfibre 10 µ	
<b>A16</b>	Inorganic microfibre 16 µ	
<b>A25</b>	Inorganic microfibre 25 µ	

\* On request

<b>M25</b>	Wire mesh	} Nominal Filtration
<b>M60</b>	Wire mesh	
<b>M90</b>	Wire mesh	

<b>P10</b>	Resin impregnated paper	} Nominal Filtration
<b>P25</b>	Resin impregnated paper	

### 7 - Max filter element differential pressure

<b>N</b>	Δp 20 bar
----------	-----------

### 8 - Option

<b>P01</b>	MP Filtri standard
------------	--------------------

DIFFERENTIAL INDICATORS (see page 120)

**MP Filtri** - The filter functions as described in this bulletin are valid exclusively for original MP Filtri filter elements and replacement parts. All rights reserved

The data in this publication are purely guideline. MP Filtri reserves the right to make changes to the models described herein at any time it deems fit in relation to technical or commercial requirements. The colours of the products shown on the cover are purely guideline. Copyright. All rights reserved.